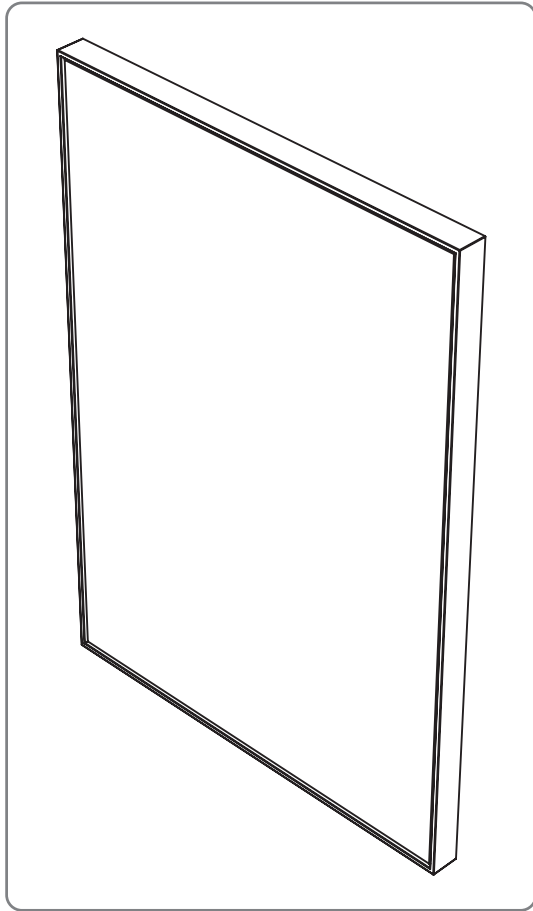


# INSTALLATION & AFTERCARE INSTRUCTIONS

Please retain for future reference



## INSTALLATION CARE & SAFETY

Wear suitable eye protection when drilling.

Take care when using power tools near water - the use of a residual current device (RCD) is advised.

Beware of hidden cables or pipes.

Take care if drilling on tiled surfaces in case the drill slips.

A piece of masking tape applied to the wall before marking out the fixing holes will stop the drill from wandering.

DO NOT strike glass components with hard or pointed items.

DO NOT place very hot or very cold items against or in close proximity to glass surfaces unless an adequately thick insulation material is used to prevent such items coming in contact with the glass.

The nominal thickness of the mirror glass used in this product is 5mm and is film backed for safety.

If the glass becomes chipped or broken replace immediately.

For details on replacement glass and other components contact customer services at the address below.

## CLEANING

It is recommended that the unit is cleaned with a soft, dry, nonabrasive cloth. Never use cleaning agents or abrasive materials on any type of surface finish.

## INSTALLATION PROCEDURE

The wall surface must be of suitable strength and construction.

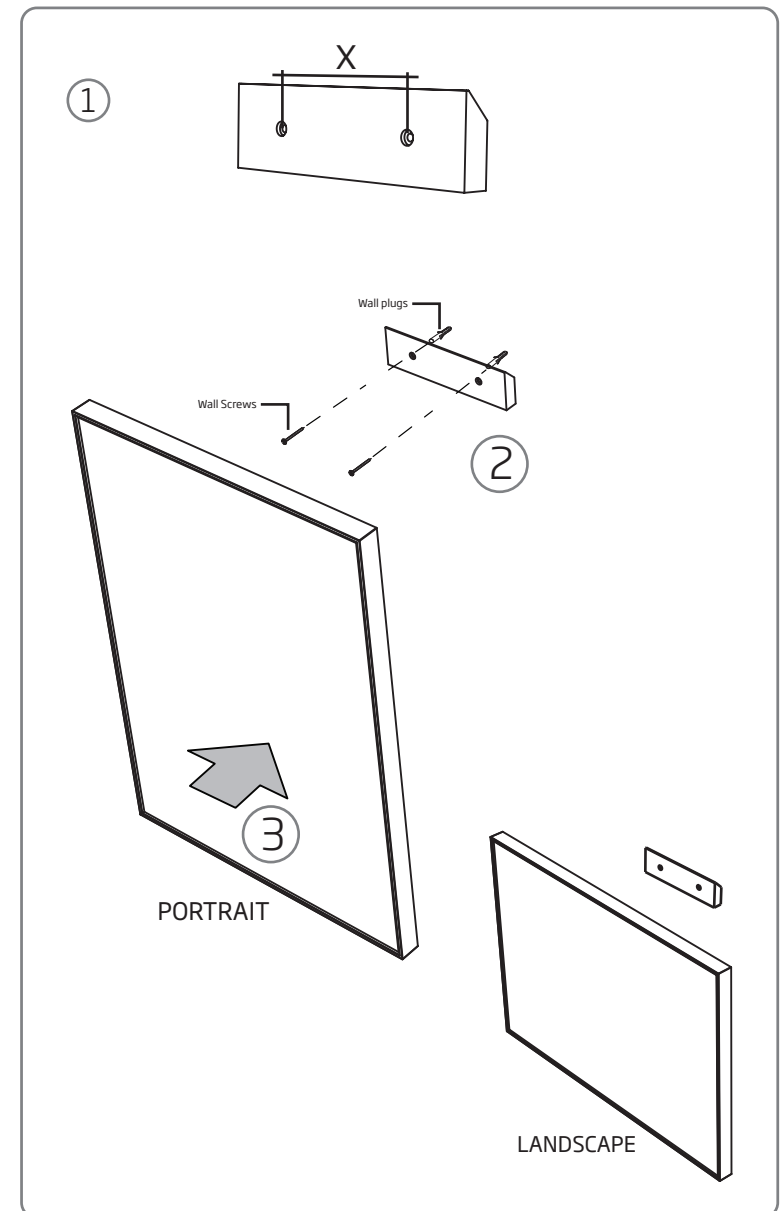
1) Measure the distance (x) between the hole centres on the wooden bracket.

2) Mark the drilling positions spaced X on an horizontal line at the desired height (considering the orientation wanted) ensuring the hole positions are horizontal by using a spirit level. Fit the wall plugs and then fix the bracket to the wall at the desired position.

NOTE: The wall plugs supplied are only suitable for solid stone / brick walls. For plasterboard walls use specialist wall plugs.

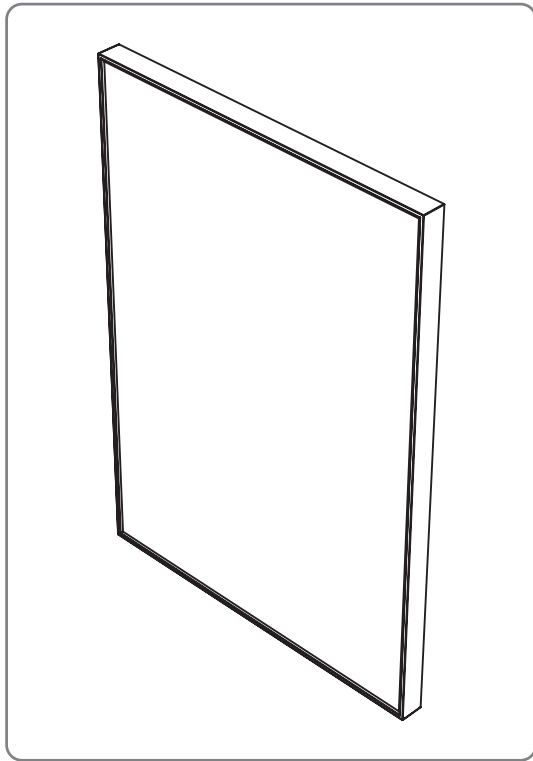
3) Slide the mirror onto the wall bracket.

To remove the mirror, the mirror should first be lifted from the bracket and then pulled away from the wall.



# INSTALLATION & AFTERCARE INSTRUCTIONS

Please retain for future reference



## IMPORTANT

The demister pad should NOT be used if the mirror is damaged. This product must NOT be cut or pierced as this will damage the insulation, rendering it unsafe.

## ELECTRICAL SAFETY INSTRUCTIONS

Electrical connections must be made by a qualified electrician to comply with current wiring regulations.

The circuit must be protected by a 5 amp fuse or circuit breaker at the distribution board and the wiring to the demister pad must incorporate an all pole disconnection.

If in doubt consult a qualified electrician.

## COMPLIANCE

This product is approved to international standards.

## POWER RATING

200 W/m<sup>2</sup>

## WIRING

Colour code:

Brown - Live

Blue - Neutral

Wiring must be covered and inaccessible in compliance with relevant safety standards.

## INSTALLATION PROCEDURE

- 1) Mark the middle of the mirror and the demister pad.
- 2) Peel the demister pad protective backing.
- 3) Stick centrally avoiding air bubbles by positioning one edge of the demister pad onto the back of the mirror holding the opposite edge away and applying pressure evenly over the full pad gradually lowering it onto the mirror.

Connect the demister pad to the mains cable before hanging the mirror in place.

NOTE: It should be connected to the lighting circuit so that it is activated when the light is switched on, or to a separate switch if preferred.

## DEMISTER PAD INSTALLATION

Before starting the demister pad installation; clean the rear of mirror with a soft, dry, non abrasive cloth.

Make sure there is no grease or dirt left.

Never use cleaning agents or abrasive materials on any type of surface finish.

