

CONTOUR / IOS - Instructions

Please retain for future reference

Installation and Fitting Instructions

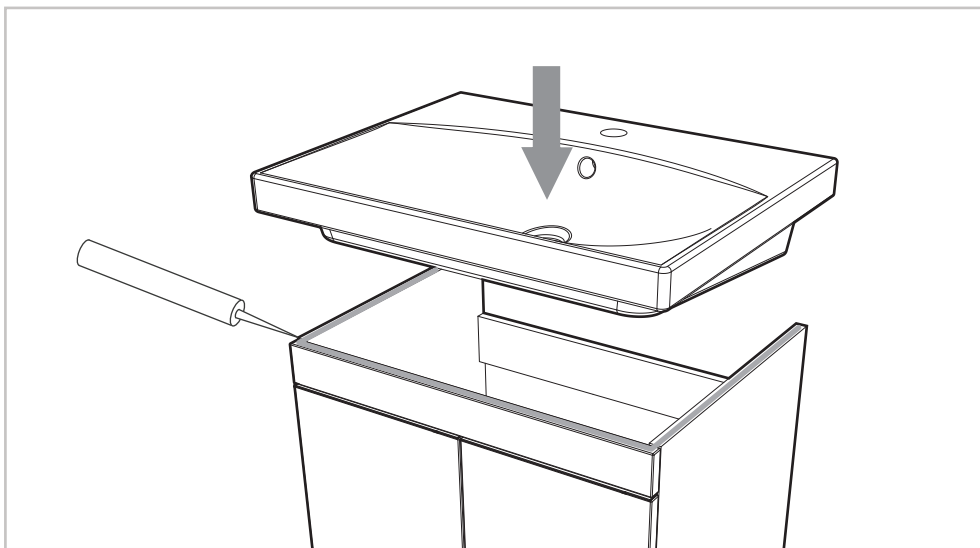
Before you start

Wear suitable eye protection when drilling. Take care when using power tools near water - the use of a residual current device (RCD) is recommended. Beware of hidden pipes or cables. Take care when drilling tiled surfaces as the drill might slip. Use a piece of masking tape to prevent the drill from wandering.

The unit and basin are secured to a suitably strong / reinforced wall to ensure stability. Fix in place following instructions on page 2. If in any doubt please consult an expert.

Fitting Basin

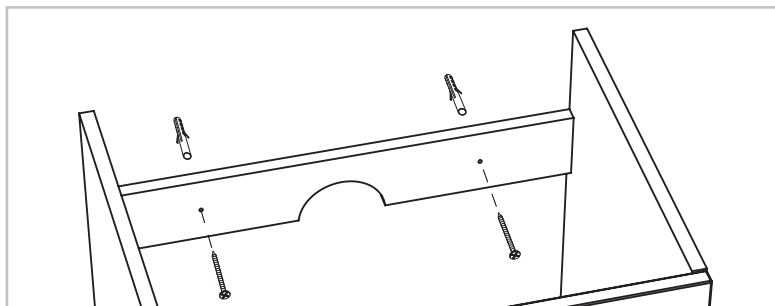
Once the basin is plumbed in finish by securing to the washstand with a silicone sealant (not supplied).



Fixing to the wall

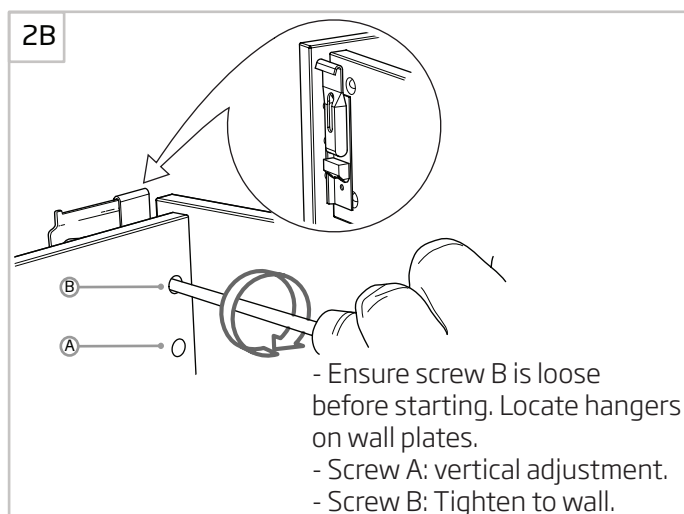
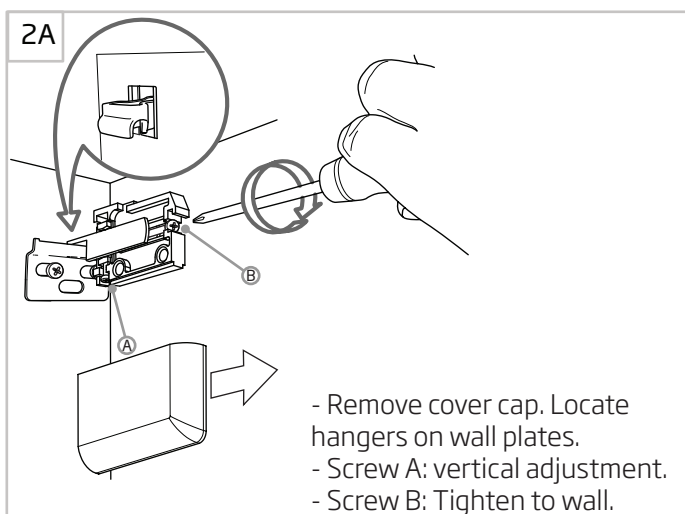
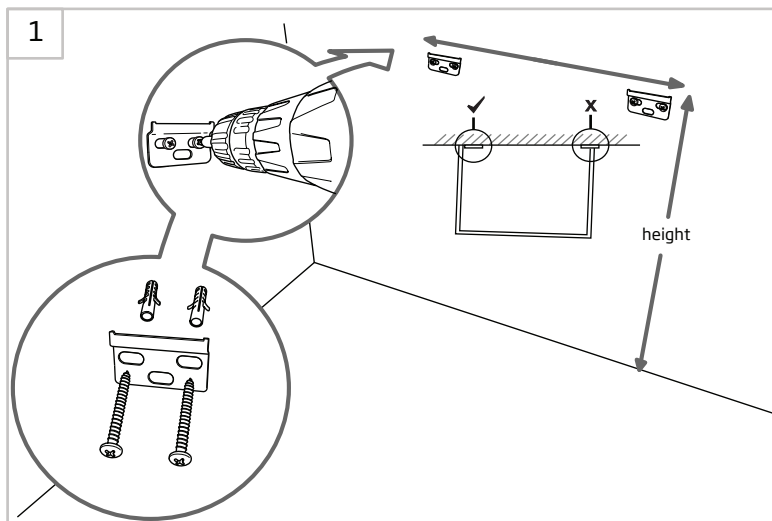
Floor mounted units

To secure the floor mounted units to the wall use the provided kit to screw the unit through the back top brace.



Wall mounted units

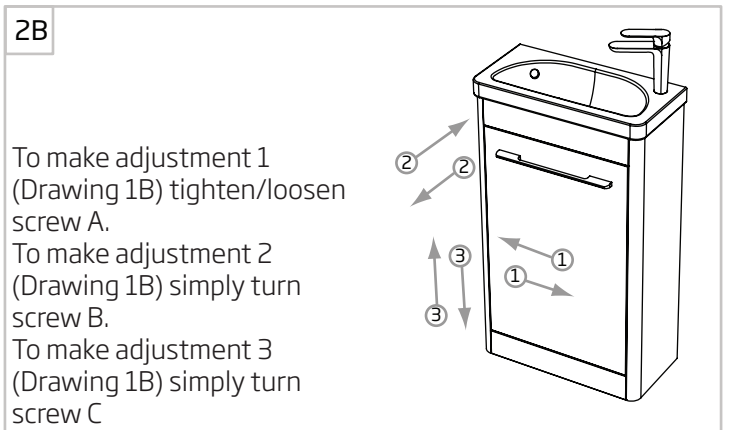
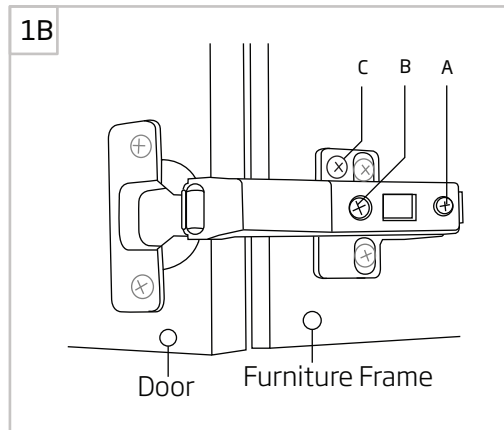
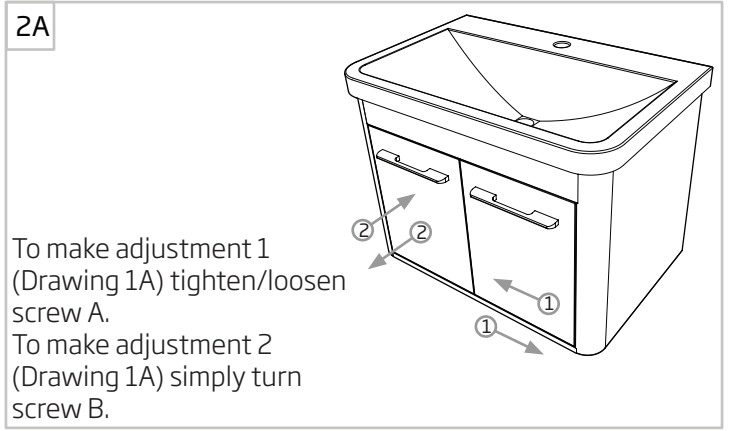
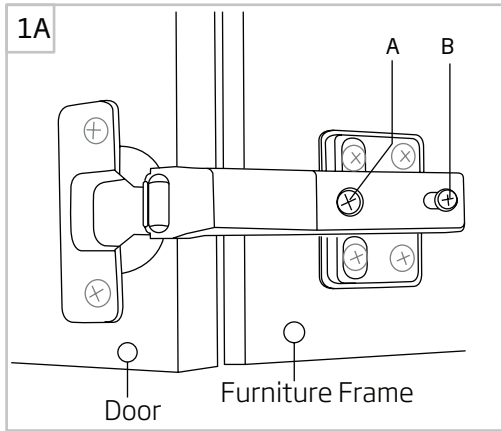
To hang the unit use the provided kit. Mark the location of each mounting plate ensuring that they are positioned inside the sidewalls of the unit. Fix the hanging plates in place using the appropriate fixings and then follow the adjustment guides from the options below:



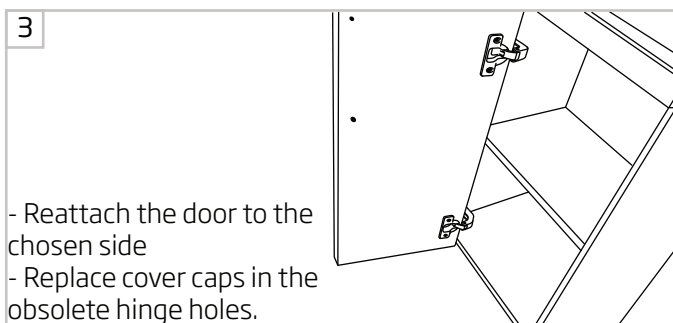
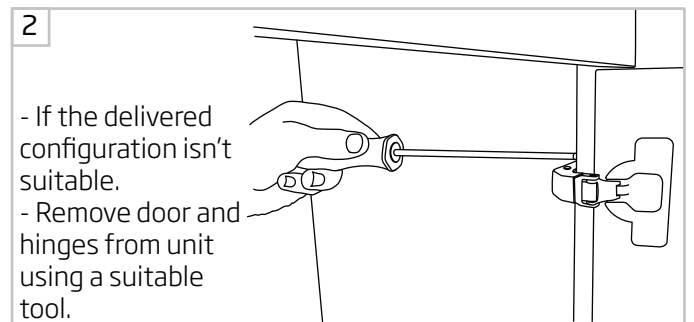
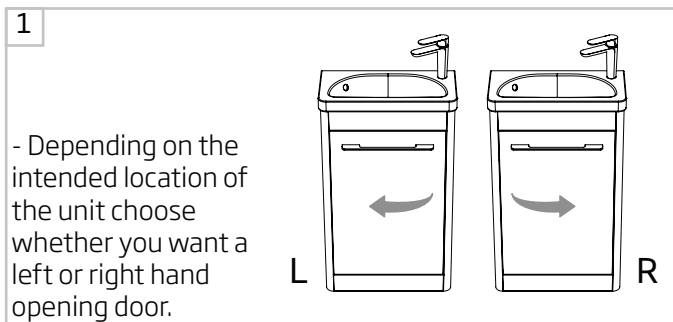
Door adjustment

Hinge adjustment

To adjust the door hinges use a screwdriver and follow the appropriate adjustment according to the hinge type:



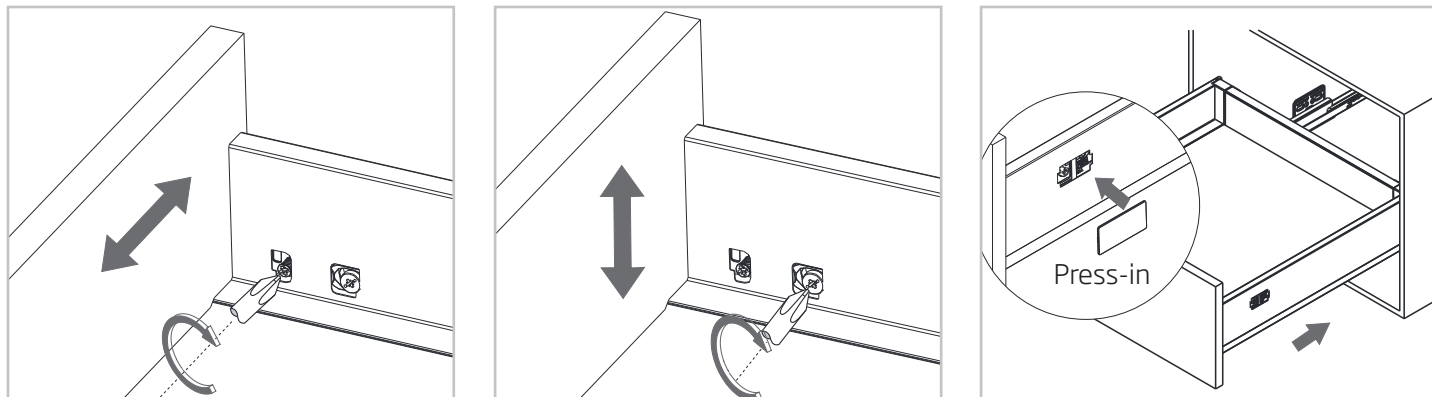
Cloakroom unit reversible door



Drawer adjustment

Adjusting and Fascia

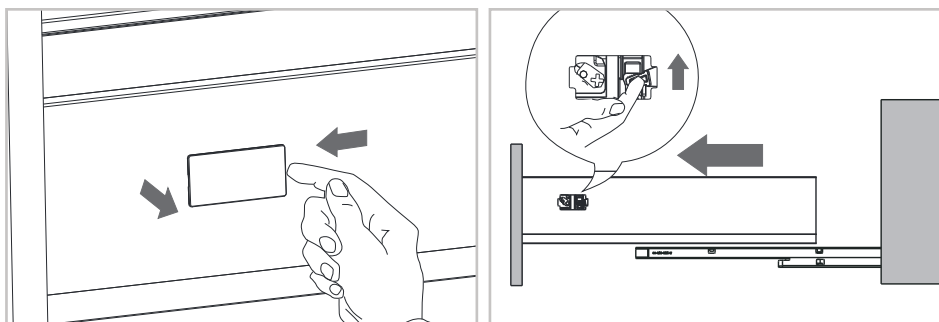
Fascias may require adjustment for correct alignment. This is achieved with the adjusting mechanisms under the interior covercap.



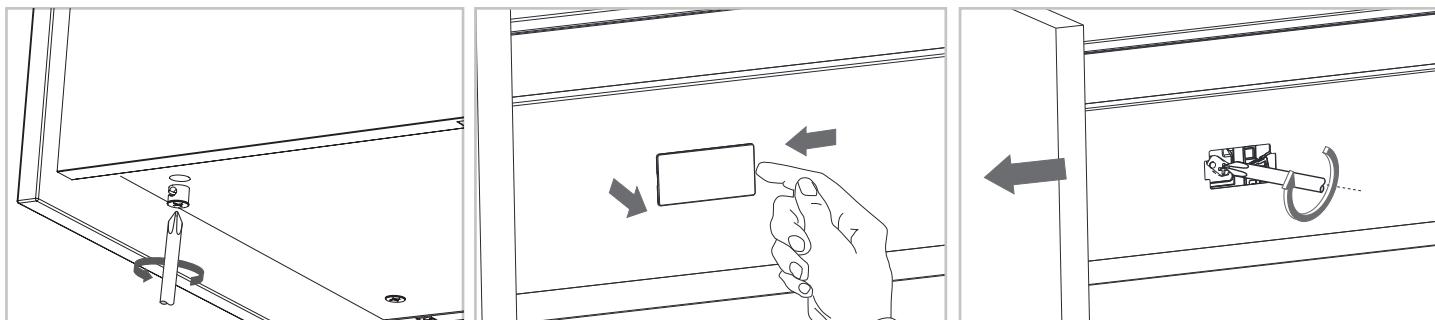
Removing Drawer and Fascia

The drawer can be removed and if faulty the drawer fascia can be removed and replaced uncovering the mechanism on the outside of the drawer side.

Remove drawer - use finger triggers on both sides



Remove fascia - turn release mechanism on both sides after removing cams under drawer



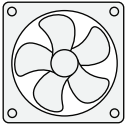
Furniture Aftercare Instructions

As with all wooden furniture, this unit should be treated with care:

We recommend...



Wipe away any water splashes or condensation after use. Excessive exposure to water will deteriorate the furniture.



All bathrooms should be well ventilated with a suitable extractor fan.



Clean with a soft damp cloth only.



Use a wax free polish if one must be used.

For removal of lime scale deposits use a suitable proprietary cleaner. If necessary test on an inconspicuous area first.

Please DO NOT...



Do not scrub or scour



Do not use abrasive cleaning agents

Replacement components

Should you require any replacement components for this product please contact customer services using the contact details below.