

Marine Shower System Installation Instructions

TR3003

Please retain for future reference

Note: Install bar valve first - refer to separate instructions provided

Brought to you by the Roper Rhodes Group
 Brassmill Lane Trading Estate
 Bath
 BA1 3JF
 t: 01225 303900

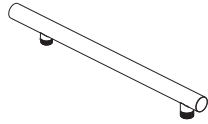
Contents



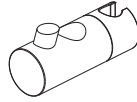
Upper Riser Rail



Lower Riser Rail



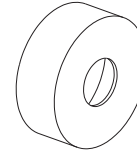
Fixed Arm



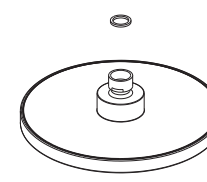
Handset Holder



Wall Fixing Kit



Wall Fixing Shroud



Fixed Shower Head & Gasket

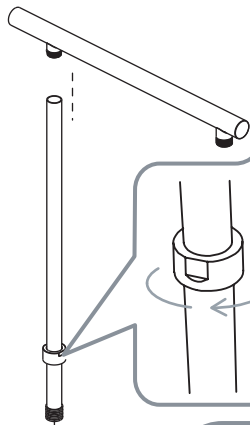


Shower Handset



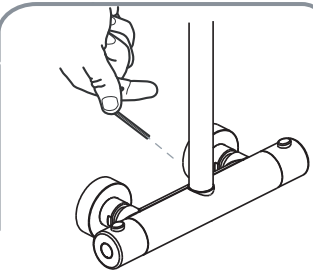
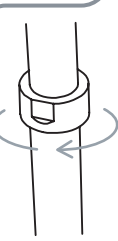
Shower Hose & Rubber Washers

1. After assembly of the bar valve, assemble the riser rail by first sliding the handset holder over the lower rail. Attach the upper rail to the lower rail then screw the fixed arm onto the upper rail as shown. The overall height can be adjusted prior to installation - see below.



2. The upper rail is adjustable to allow the fixed shower head height to be changed.

Loosen the nut, ensuring to place a piece of fabric between the spanner & fixing nut to prevent possible damage to the chrome finish. Slide the rail up or down until shower head is at the desired

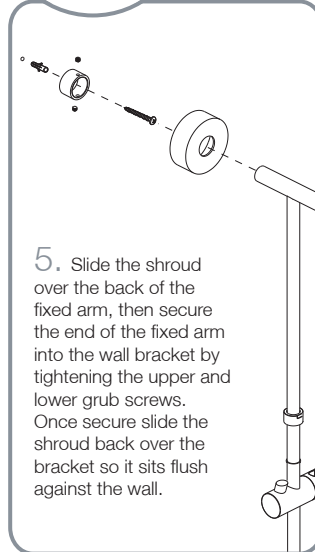
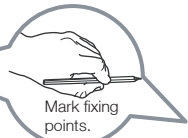
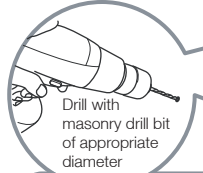


3. Fasten the riser rail to the bar valve as shown using the grub screw at the back of the rail.

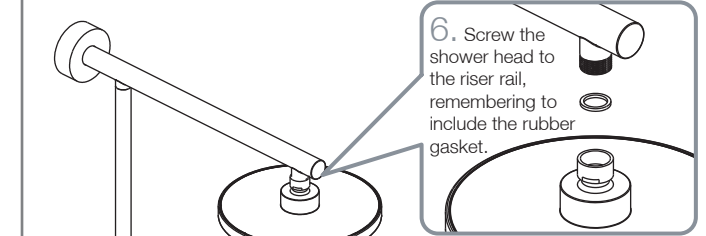
4. Measure and mark distance (A) from the valve to the centre point of the rear end of the fixed arm. Fix wall bracket in this location using the fixings supplied. (Wall plugs provided are suitable for stone or brick walls. For other wall types use appropriate wall plugs. If in doubt consult an expert).

IMPORTANT

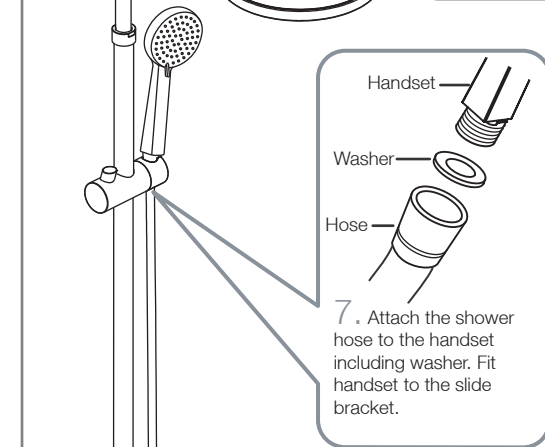
Wear suitable eye protection when drilling. Take care when using power tools near water - the use of a residual current device (RCD) is advised. Beware of hidden cables or pipes. When drilling tiled surfaces, a piece of masking tape applied to the wall before marking out the fixing holes will stop the drill wandering.



5. Slide the shroud over the back of the fixed arm, then secure the end of the fixed arm into the wall bracket by tightening the upper and lower grub screws. Once secure slide the shroud back over the bracket so it sits flush against the wall.

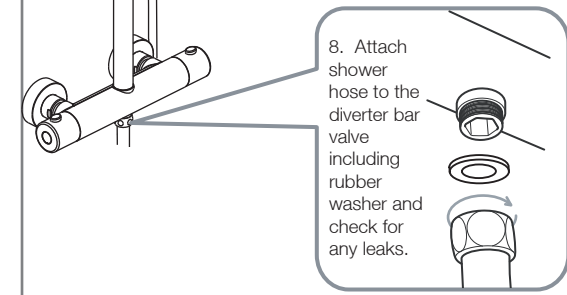


6. Screw the shower head to the riser rail, remembering to include the rubber gasket.



Handset
 Washer
 Hose

7. Attach the shower hose to the handset including washer. Fit handset to the slide bracket.



8. Attach shower hose to the diverter bar valve including rubber washer and check for any leaks.