

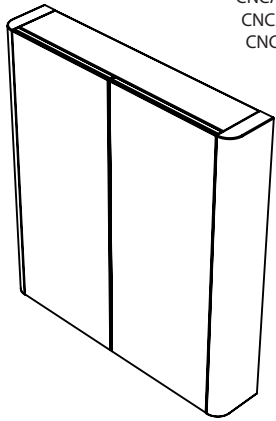
# CONTOUR

## INSTALLATION & AFTERCARE INSTRUCTIONS

Please retain for future reference

### Contour Double

CNCAB60SG  
CNCAB60W  
CNCAB60A



### CARE & SAFETY

Wear suitable eye protection when drilling. Take care when using power tools near water - the use of a residual current device (RCD) is advised. Beware of hidden cables or pipes. Take care if drilling on tiled surfaces in case the drill slips. A piece of masking tape applied to the wall before marking out the fixing holes will stop the drill from wandering.

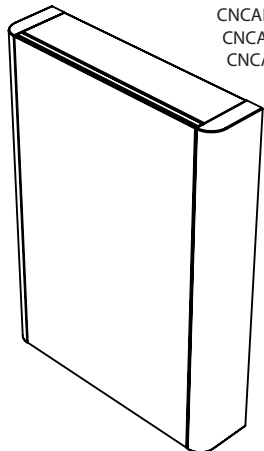
DO NOT strike glass components with hard or pointed items. DO NOT place very hot or very cold items against or in close proximity to glass surfaces unless an adequately thick insulation material is used to prevent such items coming in contact with the glass. If the glass becomes chipped or broken replace immediately. For details on replacement glass and other components contact customer services at the address below.

### CLEANING

It is recommended that the unit is cleaned with a soft, dry, non abrasive cloth. Never use cleaning agents or abrasive materials on any type of surface finish.

### Contour Single

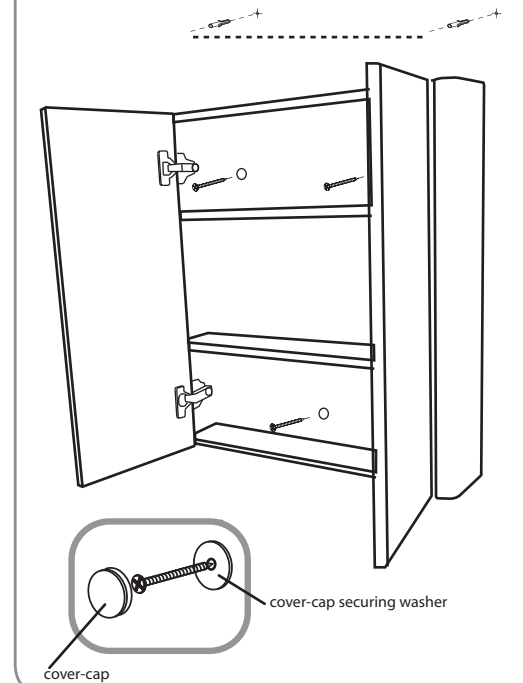
CNCAB475SG  
CNCAB475W  
CNCAB475A



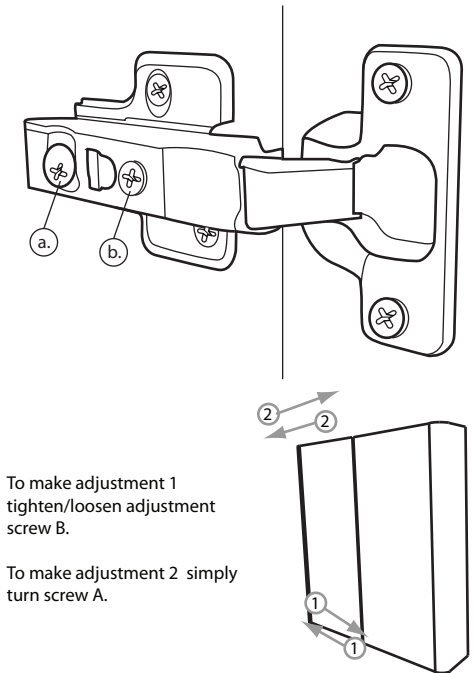
### INSTALLATION PROCEDURE

- 1) Remove the packaging taking special care with the doors.
- 2) Choose a location to mount the cabinet. Measure the cabinet to ascertain the location of the screw holes. Using a spirit level, mark the location of the holes and drill accordingly.
- 3) Note: Wall plugs supplied are only suitable for solid stone / brick walls. For plasterboard walls use specialist wall plugs, available from DIY or hardware stores. Seek advice from a specialist about the suitability of fixings to be used. Drill the top two holes and insert wall plugs.
- 4) Place the cabinet on the wall and fix using the screws provided. Once satisfied with the location of the cabinet, mark the third fixing hole location. Remove cabinet from the wall, drill holes and insert a wall plug.
- 5) Re-hang the cabinet making sure to tighten all 3 screws with the cover-cap securing washers. Cover the screws with the supplied cover-caps.

### WALL MOUNTING



### HINGE ADJUSTMENT



To make adjustment 1 tighten/loosen adjustment screw B.

To make adjustment 2 simply turn screw A.