

# TECHNICAL DATA SHEET

## Neutron Soft Close Toilet Seat - 8901WSC-SF

**select**

by Roper Rhodes

NO.	Description	Product Code	Fixings included	Gross Weight	Seat Weight
1	Neutron Soft Close Toilet Seat	8901WSC-SF	YES	2.35kg	1.8kg



### Spares Codes

Hinge Fixing Kit - SP19614

Soft Close Damper Set - SP17012

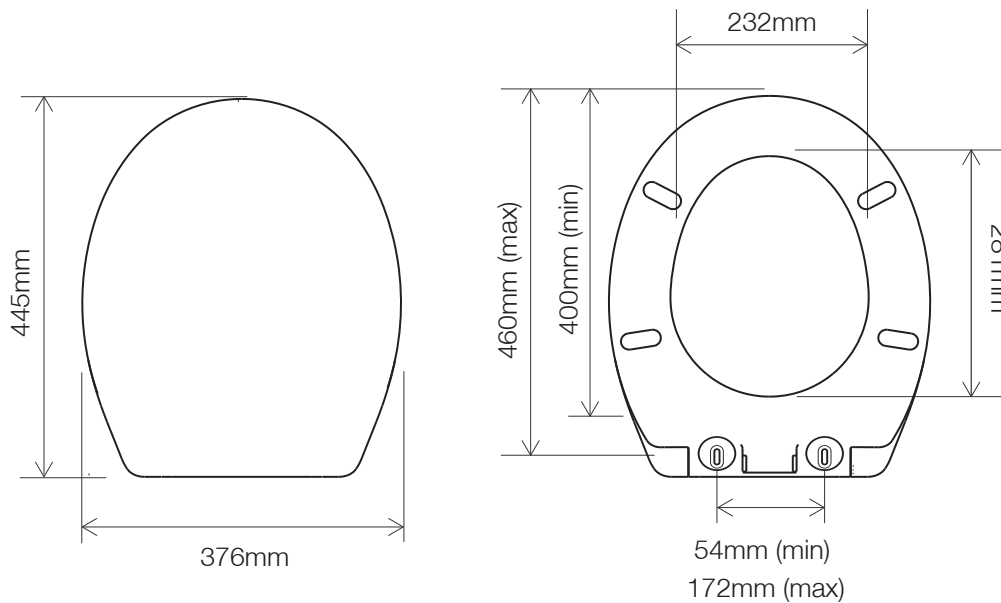
Lid Buffer (x2) - SP17010

Ring Buffer (x4) - SP17011

Rubber Top Fix Insert and Screw - SP12553

### DIMENSIONS

DIAGRAMS NOT TO SCALE | ALL DIMENSIONS IN MM | TOLERANCE OF  $\pm 5$ MM  
ALL PRODUCTS CONFORM TO THE BRITISH FIXING STANDARDS



\*Dimensions are subject to change, customers are advised to measure actual product before commencing installation.

### FAQs

Q - What's the maximum test load of the seat?

A - 150kg

Q - What are the fixings made from?

A - Reinforced nylon base plates with stainless steel cover caps

Key Dimensions Descriptions	Key Dimensions (mm)
Seat/Lid Front to Back	445mm
Seat/Lid Left to Right	376mm
Ring Hole Front to Back	281mm
Ring Hole Left to Right	232mm
Seat Overall Thickness	53mm
Min/Max Adjustment for Fixings	54/172, 400/460