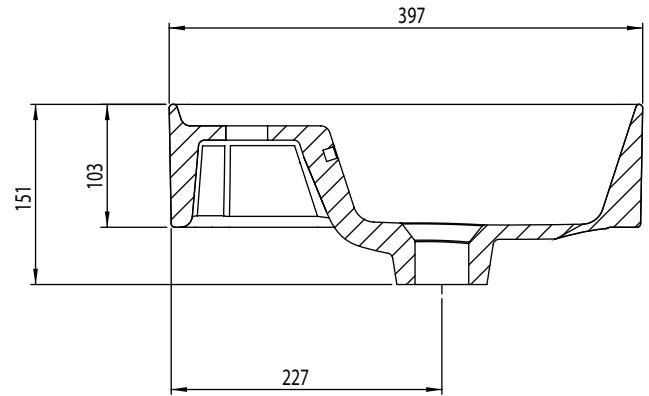
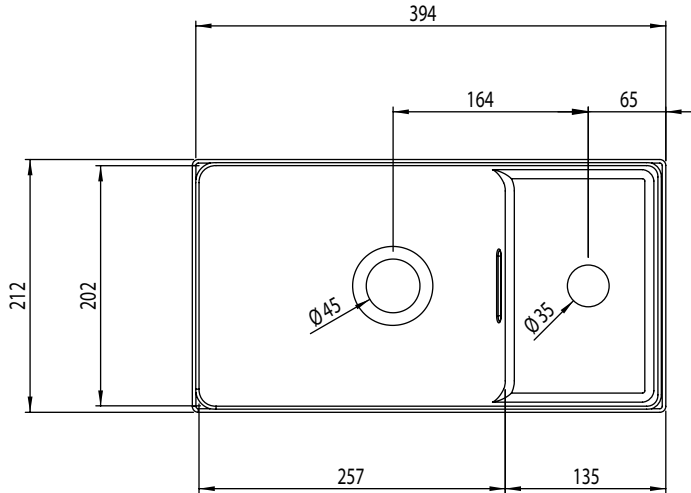


Technical Data Sheet

ALTO 400mm Cloakroom Ceramic Basin

Whats in the box: 1x ALT4080

R2



Diagrams not to scale
All dimensions in mm
tolerance of +/-5mm

Materials

Basin: Ceramic

*Dimensions are subject to change, customers are advised to measure actual product before commencing installation.

**Fixing point dimensions are for guidance only/the positions of wall fixing must be checked when product is received.

FAQs

Q: What is the maximum water depth of the basin?

A: 55mm up to the overflow.

Q: What is the distance of the wall fixings?

A: N/A

Q: Whats is the width of the Tapledge?

A: The Tapledge is 135mm wide.

Q: What is the distance from the Taphole centre to Basin Waste?

A: 164mm

Q: Does the basin have an overflow?

A: Yes, integrated.

Q: Is the basin glazed on all sides?

A: Yes, so the basin can be handed left or right.