

SAFETY NOTICE

The unit and basin should be fully secured to a suitably reinforced wall to ensure stability. The wall plugs supplied are only suitable for solid stone/brick walls. For plasterboard walls use specialist wall plugs along with supplementary wall strengthening as units can be very heavy. Seek advice from a specialist about the suitability of fixings to be used.

Wear suitable eye protection when drilling. Take care when using power tools near water - the use of a residual current device (RCD) is recommended. Beware of hidden pipes or cables. Take care when drilling tiled surfaces as the drill might slip. Use a piece of masking tape to prevent the drill from wandering.

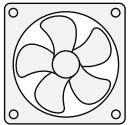
FURNITURE AFTERCARE INSTRUCTIONS

As with all wooden furniture, this product should be treated with care.

We recommend...



Wipe away any water splashes or condensation after use. Excessive exposure to water will deteriorate the furniture.



All bathrooms should be well ventilated with a suitable extractor fan.



Clean with a soft damp cloth only.



For removal of lime scale deposits use a suitable proprietary cleaner. If necessary test on an inconspicuous area first.

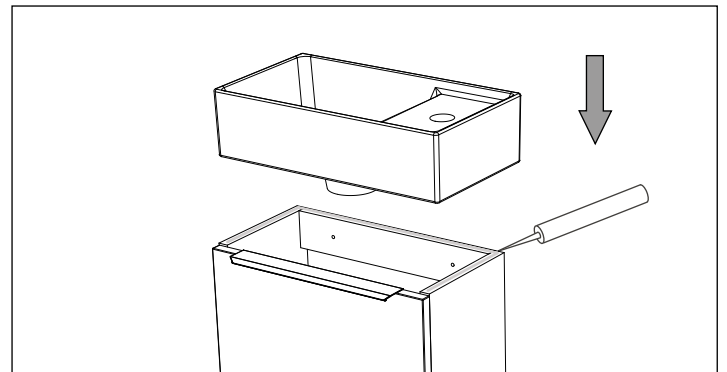
Please DO NOT...



Do not scrub or scour



Do not use abrasive cleaning agents



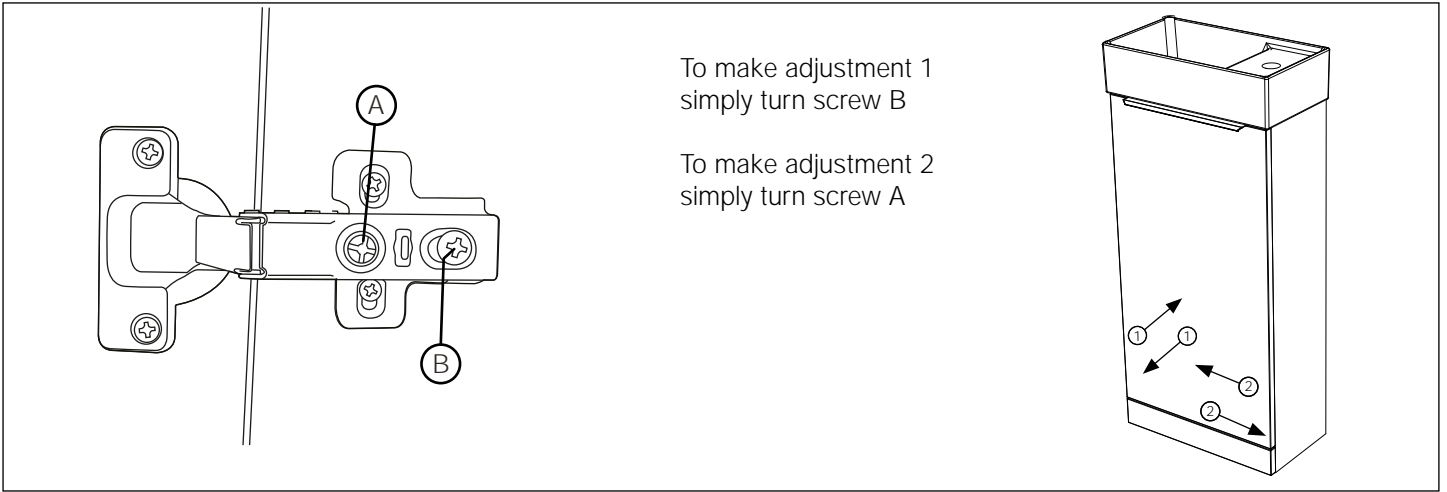
BASIN INSTALLATION

- Apply a bead of silicone to the basin / worktop on 3 sides to fix to and protect the side panel edges as per figure above.
- Typically the basin also has a silicone bead along the back edges where it meets the wall (not shown)
- The basin should be held in place while the silicone cures.

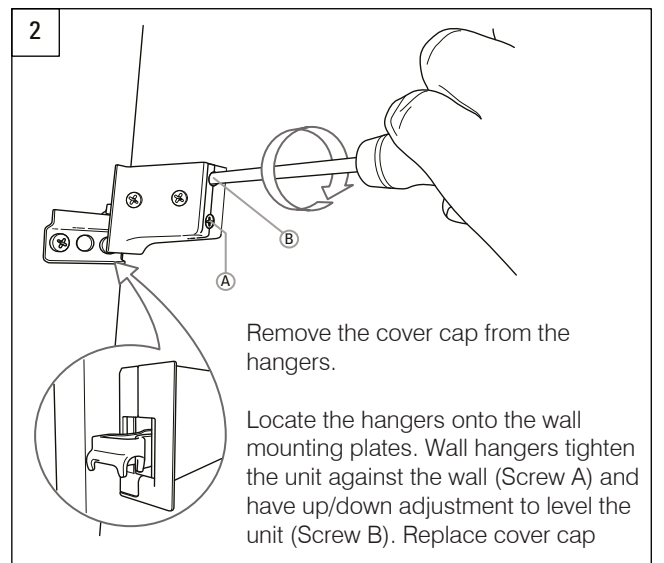
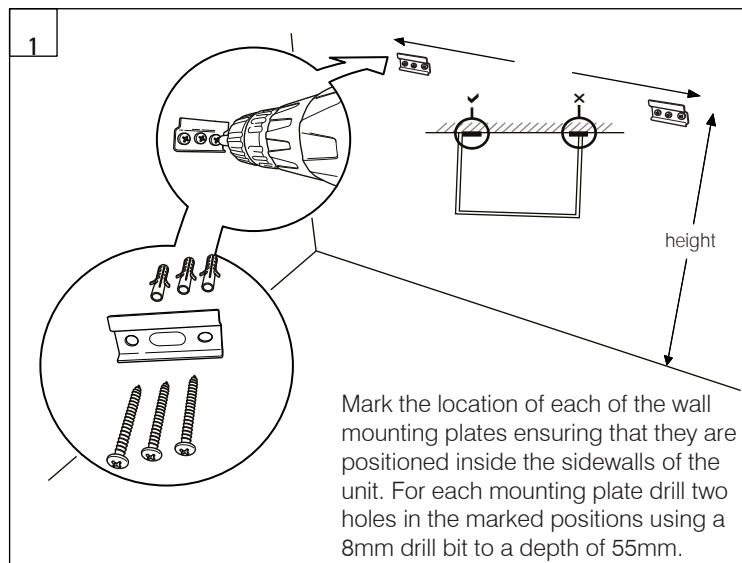
Replacement Components

Should you require any replacement components for this product please contact Customer Services using the contact details below.

HINGE ADJUSTMENT

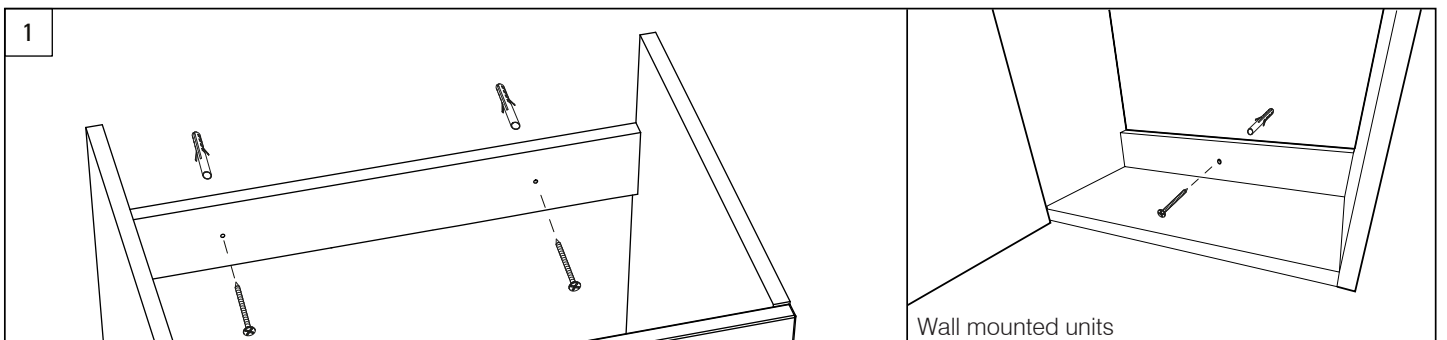


FIXING TO THE WALL - WALL MOUNTED UNITS

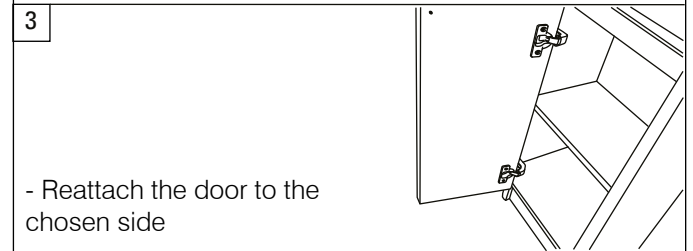
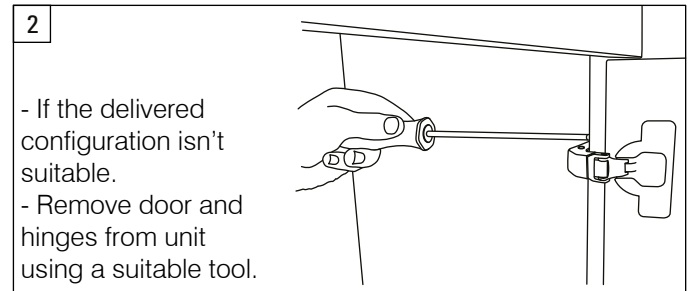
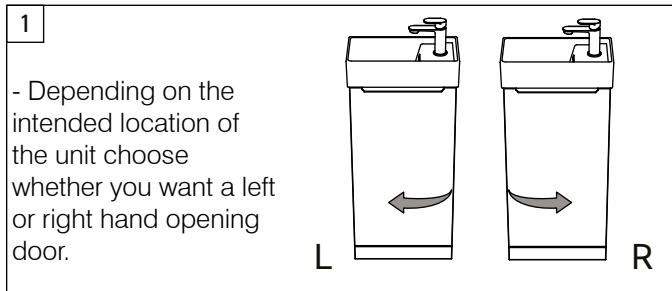


FIXING TO THE WALL

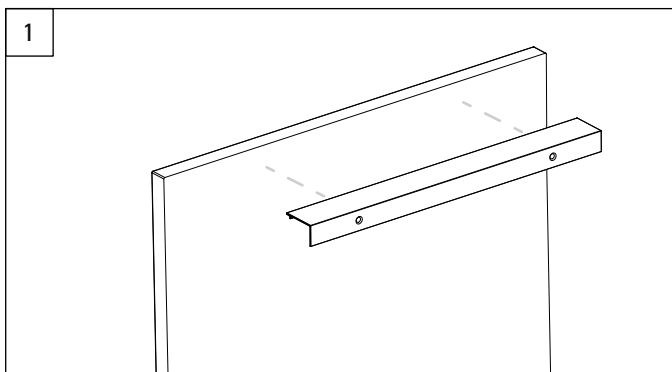
Secure unit to wall through the back top brace via holes (fixings not supplied). If the wallmounted unit includes lower fixing points – the unit should be additionally secured to the wall via these points using suitable fixings after setting up hanging devices.



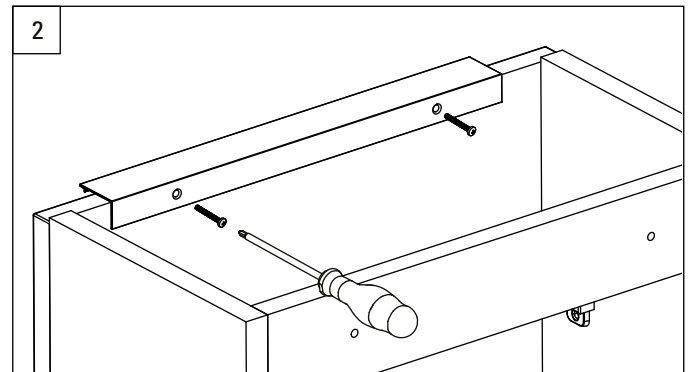
REVERSIBLE DOOR



INSTALLING HANDLE

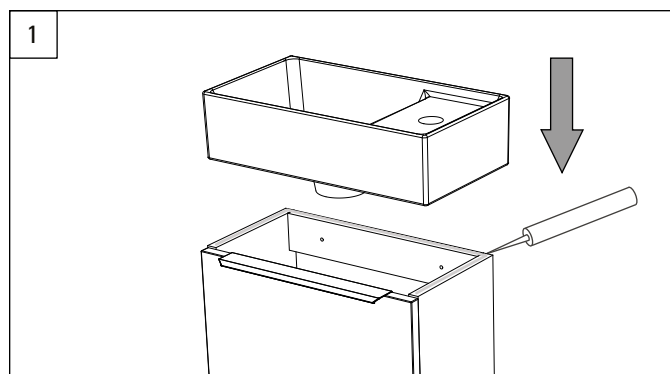


Slot chosen handle onto the fascia panel.
Use screws provided to attach the chosen handles to the fascia.



Tighten using a screwdriver

FITTING BASINS



Once the basin is plumbed in, finish by securing it to the furniture unit along the top face of the side panel with silicone sealant (not supplied).