

Technical Data Sheet

Act Basin Mixer - TR1064

ROPER RHODES®
TRADE SOLUTIONS

No.	Description	Code	Fixings Included
1	Act Basin Mixer	TR1064	YES



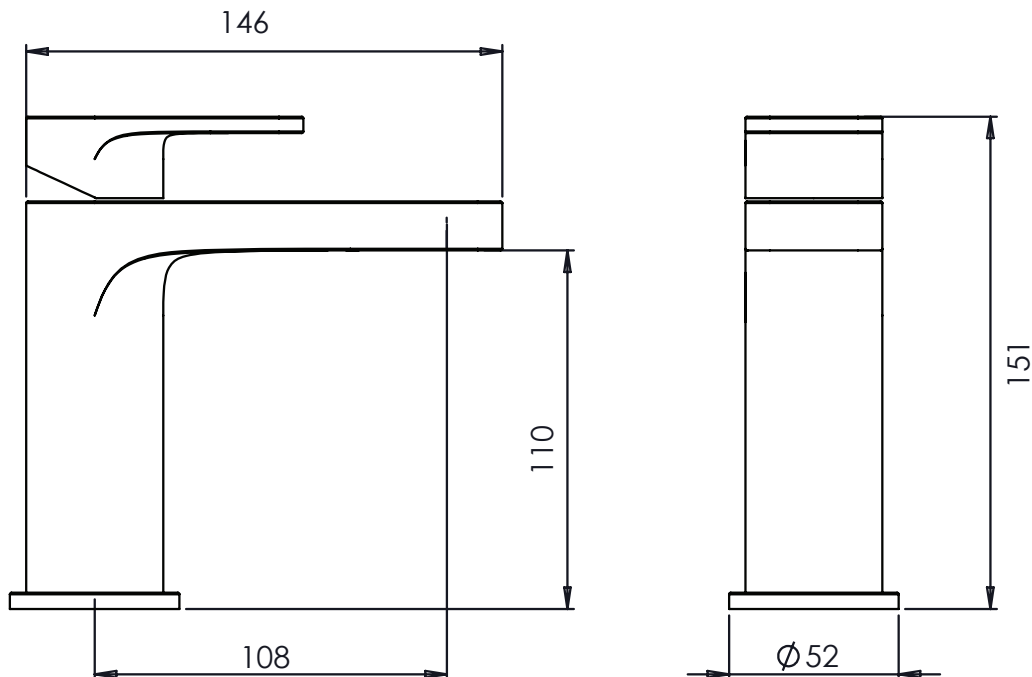
Chrome Plated

FLOW RATE DATA IS TESTED UNDER LABORATORY CONDITIONS: ACTUAL FLOW RATE MAY VARY DEPENDING ON DOMESTIC SUPPLY AND ACCESSORIES

Pressure:	Flow Rate:
0.2bar	4 litres / min
0.3bar	4.5 litres / min
0.4bar	5.2 litres / min
0.5bar	5.6 litres / min
1bar	5.6 litres / min
2bar	5.6 litres / min

Dimensions - TR1064

Diagrams not to scale. All dimensions in mm (tolerance of +/-5mm)



*Dimensions are subject to change, customers are advised to measure actual product before commencing installation.

FAQs

What bore is the tap tail? The tails have a 10mm internal bore.

What length are the tap tails? The tails are 300mm in length.

Does the tap come fitted with an aerator? Yes, the aerator comes pre-installed but can be replaced.

What is the size of the tap tail connection? The tap tails have a standard 1/2" BSP fixing.

What is the recommended minimum pressure? 0.2 Bar

Technical Data Sheet

Act Eco Basin Mixer - TR1135

with Cold Start Cartridge and Water Saver

No.	Description	Code	Fixings Included
1	Act Eco Basin Mixer	TR1135	YES



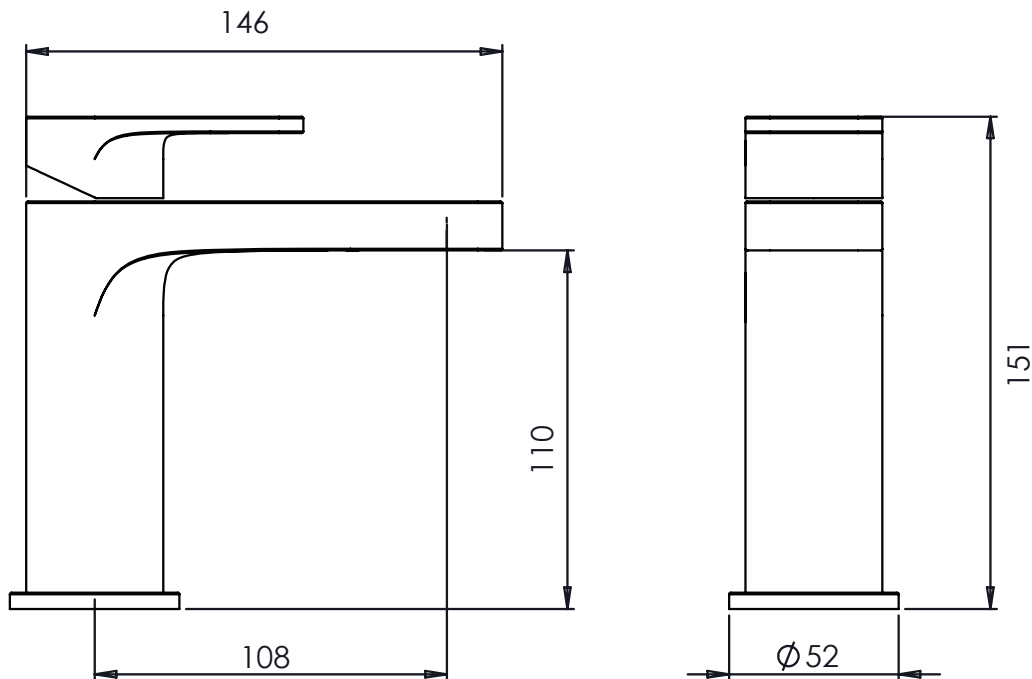
Chrome Plated

FLOW RATE DATA IS TESTED UNDER LABORATORY CONDITIONS: ACTUAL FLOW RATE MAY VARY DEPENDING ON DOMESTIC SUPPLY AND ACCESSORIES

Pressure:	Flow Rate:
0.2bar	4 litres / min
0.3bar	4.5 litres / min
0.4bar	5.2 litres / min
0.5bar	5.6 litres / min
1bar	5.6 litres / min
2bar	5.6 litres / min

Dimensions - TR1064

Diagrams not to scale. All dimensions in mm (tolerance of +/-5mm)



*Dimensions are subject to change, customers are advised to measure actual product before commencing installation.

FAQs

What bore is the tap tail? The tails have a 10mm internal bore.

What length are the tap tails? The tails are 300mm in length.

Does the tap come fitted with an aerator? Yes, the aerator comes pre-installed but can be replaced.

What is the size of the tap tail connection? The tap tails have a standard 1/2" BSP fixing.

What is the recommended minimum pressure? 0.2 Bar

Technical Data Sheet

Act Mini Basin Mixer - TR1065

ROPER RHODES®
TRADE SOLUTIONS

No.	Description	Code	Fixings Included
1	Act Mini Basin Mixer	TR1065	YES



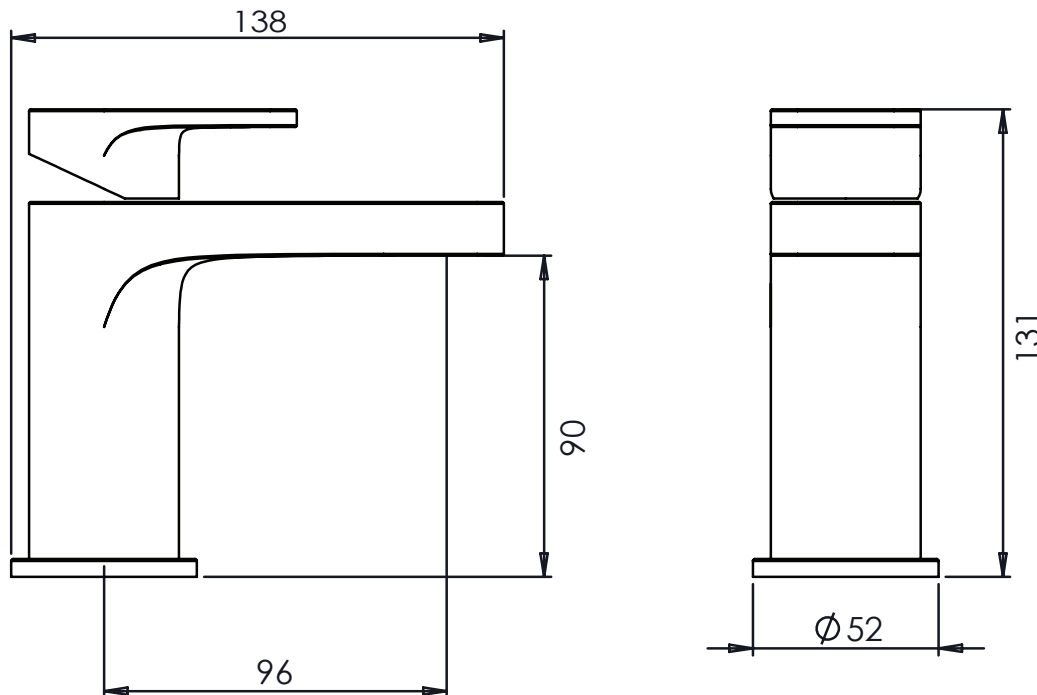
Chrome Plated

FLOW RATE DATA IS TESTED UNDER LABORATORY CONDITIONS: ACTUAL FLOW RATE MAY VARY DEPENDING ON DOMESTIC SUPPLY AND ACCESSORIES

Pressure:	Flow Rate:
0.2bar	4 litres / min
0.3bar	4.5 litres / min
0.4bar	5.2 litres / min
0.5bar	5.6 litres / min
1bar	5.6 litres / min
2bar	5.6 litres / min

Dimensions - TR1065

Diagrams not to scale. All dimensions in mm (tolerance of +/-5mm)



*Dimensions are subject to change, customers are advised to measure actual product before commencing installation.

FAQs

What is the size of the tap tail connection? The tap tails have a standard 1/2" BSP fixing.

What bore is the tap tail? The tails have a 10mm internal bore.

What length are the tap tails? The tails are 300mm in length.

Does the tap come fitted with an aerator? Yes, the aerator comes pre-installed but can be replaced.

What is the recommended minimum pressure? 0.2 Bar

Technical Data Sheet

Act Bath Filler - TR1066

ROPER RHODES®
TRADE SOLUTIONS

No.	Description	Code	Fixings Included
1	Act Bath Filler	TR1066	YES

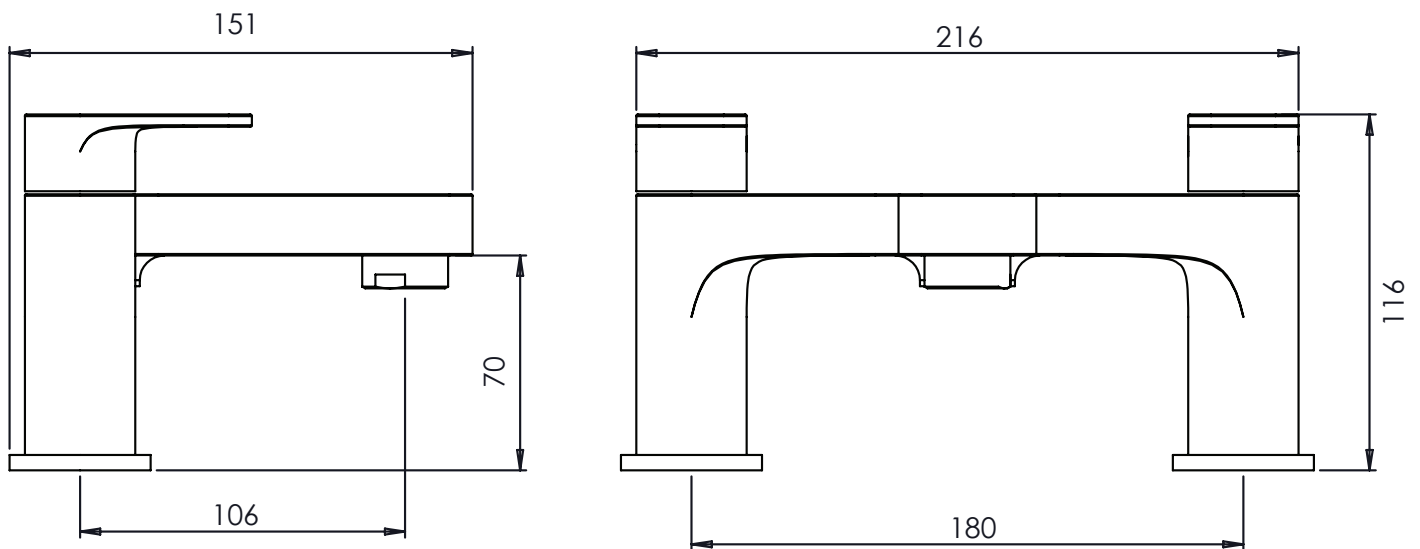


FLOW RATE DATA IS TESTED UNDER LABORATORY CONDITIONS: ACTUAL FLOW RATE MAY VARY DEPENDING ON DOMESTIC SUPPLY AND ACCESSORIES

Pressure:	Flow Rate:
0.2bar	14 litres / min
0.3bar	16.8 litres / min
0.4bar	18.6 litres / min
0.5bar	20.9 litres / min
1bar	29.6 litres / min
2bar	41.6 litres / min

Dimensions - TR1066

Diagrams not to scale. All dimensions in mm (tolerance of +/-5mm)



*Dimensions are subject to change, customers are advised to measure actual product before commencing installation.

FAQs

Does the tap come fitted with an aerator? Yes, the aerator comes pre-installed but can be replaced.

What size plumbing fittings are needed for the threaded legs? This product will work with standard 3/4" plumbing fittings.

What is the recommended minimum pressure? 0.2 Bar

Technical Data Sheet

Act Bath Shower Mixer - TR1078

ROPER RHODES®
TRADE SOLUTIONS

No.	Description	Code	Fixings Included
1	Act Bath Shower Mixer	TR1078	YES



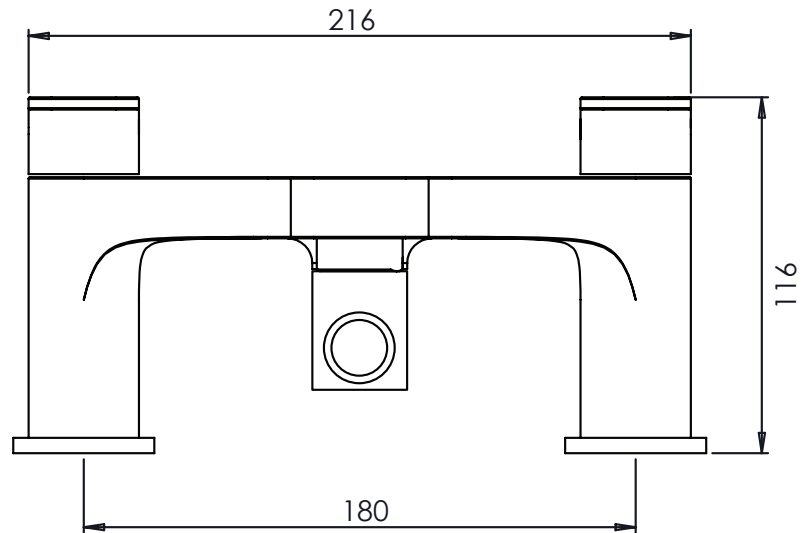
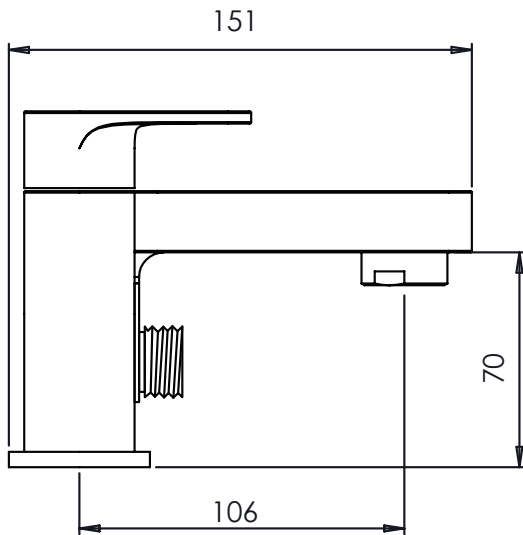
Chrome Plated

FLOW RATE DATA IS TESTED UNDER LABORATORY CONDITIONS: ACTUAL FLOW RATE MAY VARY DEPENDING ON DOMESTIC SUPPLY AND ACCESSORIES

Pressure:	Flow Rate:
0.2bar	14 litres / min
0.3bar	16.8 litres / min
0.4bar	18.6 litres / min
0.5bar	20.9 litres / min
1bar	29.6 litres / min
2bar	41.6 litres / min

Dimensions - TR1078

Diagrams not to scale. All dimensions in mm (tolerance of +/-5mm)



*Dimensions are subject to change, customers are advised to measure actual product before commencing installation.

FAQs

Does the tap come fitted with an aerator?

Yes, the aerator comes pre-installed but can be replaced.

What size plumbing fittings are needed for the threaded legs?

This product will work with standard 3/4" plumbing fittings.

What size are the connections for the shower hose?

The threaded connections on the shower hose are a standard 1/2" BSP connection.

What is the recommended minimum pressure? 0.2 Bar

Technical Data Sheet

Act Black Basin Mixer - TR1072

ROPER RHODES®
TRADE SOLUTIONS

No.	Description	Code	Fixings Included
1	Act Basin Mixer	TR1072	YES

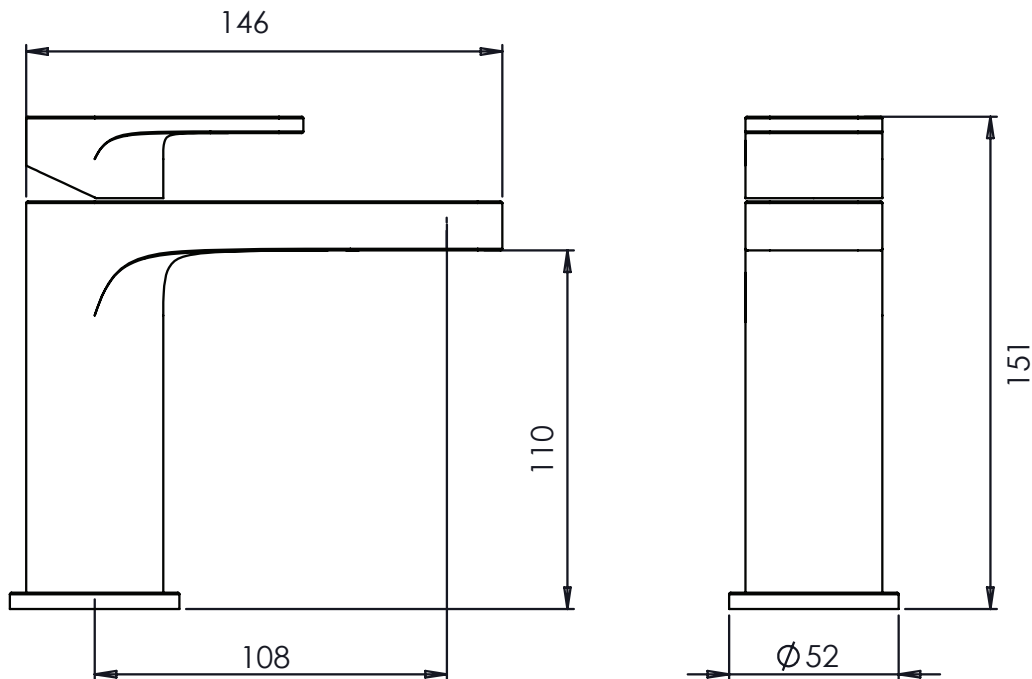


FLOW RATE DATA IS TESTED UNDER LABORATORY CONDITIONS: ACTUAL FLOW RATE MAY VARY DEPENDING ON DOMESTIC SUPPLY AND ACCESSORIES

Pressure:	Flow Rate:
0.2bar	4 litres / min
0.3bar	4.5 litres / min
0.4bar	5.2 litres / min
0.5bar	5.6 litres / min
1bar	5.6 litres / min
2bar	5.6 litres / min

Dimensions - TR1072

Diagrams not to scale. All dimensions in mm (tolerance of +/-5mm)



*Dimensions are subject to change, customers are advised to measure actual product before commencing installation.

FAQs

What is the size of the tap tail connection? The tap tails have a standard 1/2" BSP fixing.

What bore is the tap tail? The tails have a 10mm internal bore.

What length are the tap tails? The tails are 300mm in length.

Does the tap come fitted with an aerator? Yes, the aerator comes pre-installed but can be replaced.

What is the recommended minimum pressure? 0.2 Bar

Technical Data Sheet

Act Black Mini Basin Mixer - TR1073

ROPER RHODES®
TRADE SOLUTIONS

No.	Description	Code	Fixings Included
1	Act Black Mini Basin Mixer	TR1073	YES



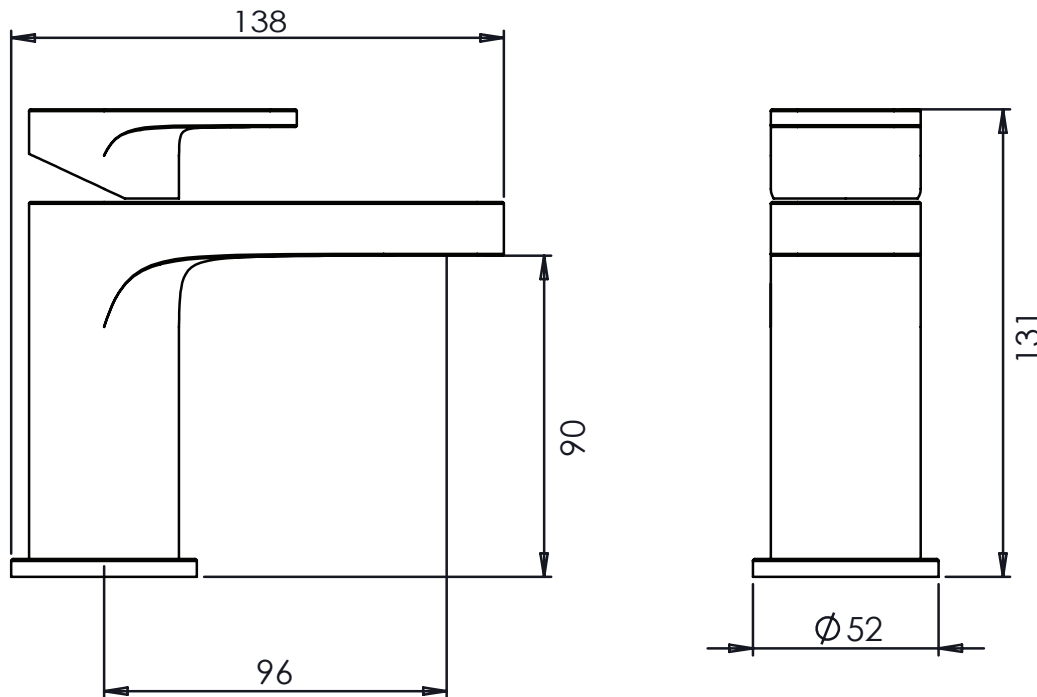
Electroplated

FLOW RATE DATA IS TESTED UNDER LABORATORY CONDITIONS: ACTUAL FLOW RATE MAY VARY DEPENDING ON DOMESTIC SUPPLY AND ACCESSORIES

Pressure:	Flow Rate:
0.2bar	4 litres / min
0.3bar	4.5 litres / min
0.4bar	5.2litres / min
0.5bar	5.6 litres / min
1bar	5.6 litres / min
2bar	5.6 litres / min

Dimensions - TR1073

Diagrams not to scale. All dimensions in mm (tolerance of +/-5mm)



*Dimensions are subject to change, customers are advised to measure actual product before commencing installation.

FAQs

What is the size of the tap tail connection? The tap tails have a standard 1/2" BSP fixing.

What bore is the tap tail? The tails have a 10mm internal bore.

What length are the tap tails? The tails are 300mm in length.

Does the tap come fitted with an aerator? Yes, the aerator comes pre-installed but can be replaced.

What is the recommended minimum pressure? 0.2 Bar

Technical Data Sheet

Act Black Bath Filler - TR1074

ROPER RHODES®
TRADE SOLUTIONS

No.	Description	Code	Fixings Included
1	Act Black Bath Filler	TR1074	YES

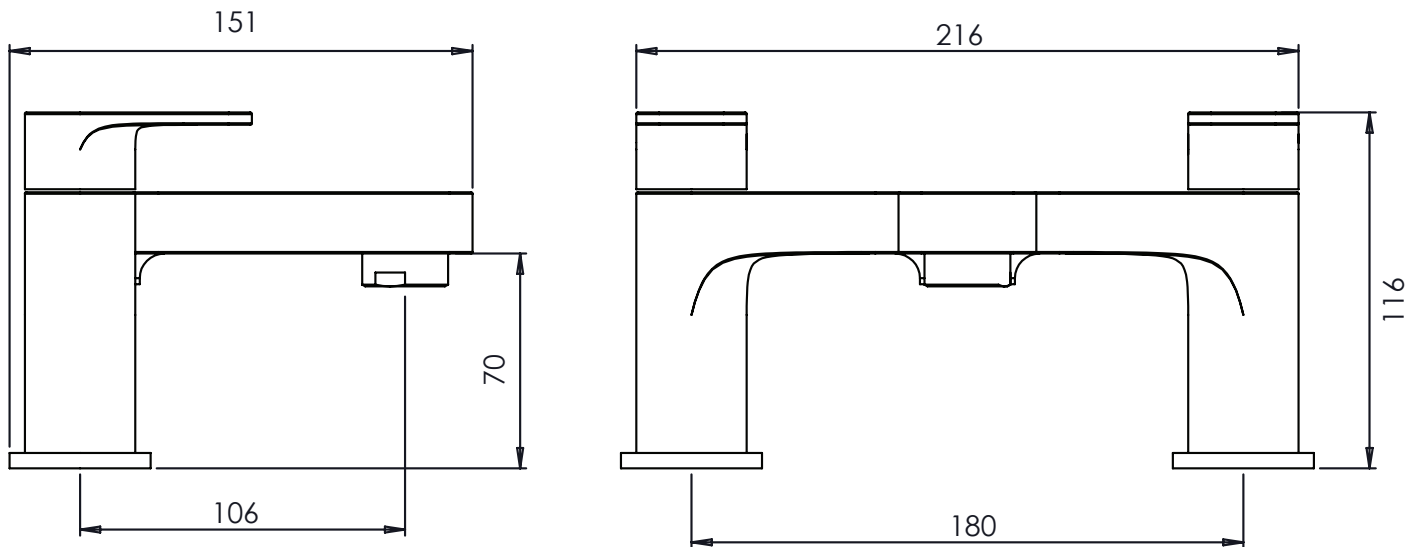


FLOW RATE DATA IS TESTED UNDER LABORATORY CONDITIONS: ACTUAL FLOW RATE MAY VARY DEPENDING ON DOMESTIC SUPPLY AND ACCESSORIES

Pressure:	Flow Rate:
0.2bar	14 litres / min
0.3bar	16.8 litres / min
0.4bar	18.6 litres / min
0.5bar	20.9 litres / min
1bar	29.6 litres / min
2bar	41.6 litres / min

Dimensions - TR1074

Diagrams not to scale. All dimensions in mm (tolerance of +/-5mm)



*Dimensions are subject to change, customers are advised to measure actual product before commencing installation.

FAQs

Does the tap come fitted with an aerator? Yes, the aerator comes pre-installed but can be replaced.

What size plumbing fittings are needed for the threaded legs? This product will work with standard 3/4" plumbing fittings.

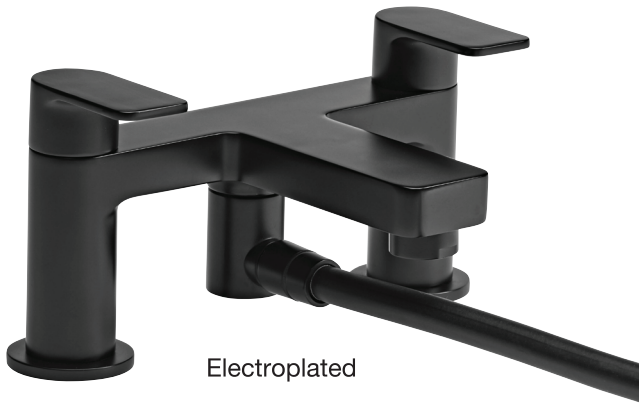
What is the recommended minimum pressure? 0.2 Bar

Technical Data Sheet

Act Black Bath Shower Mixer - TR1082

ROPER RHODES®
TRADE SOLUTIONS

No.	Description	Code	Fixings Included
1	Act Black Bath Shower Mixer	TR1082	YES

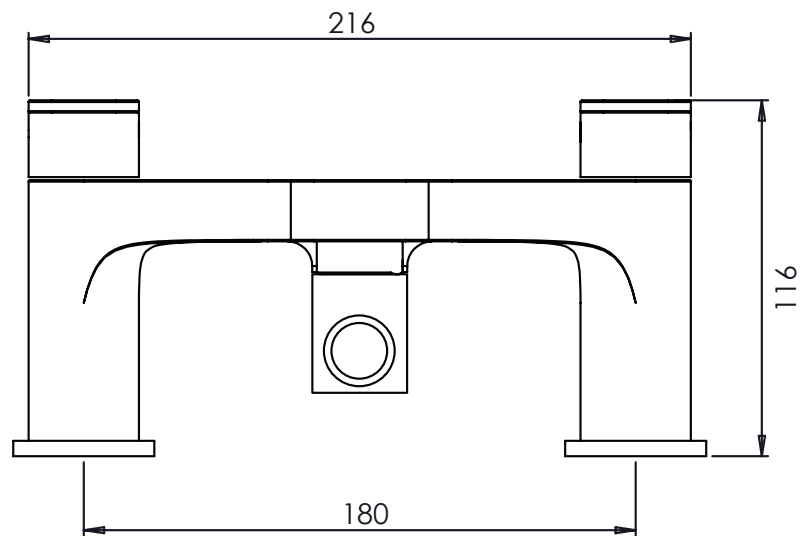
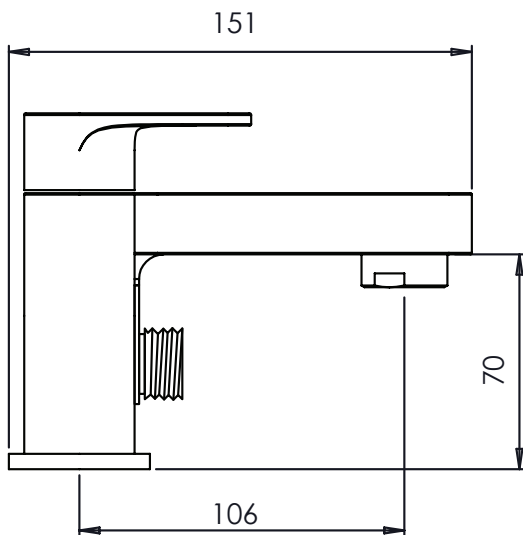


FLOW RATE DATA IS TESTED UNDER LABORATORY CONDITIONS: ACTUAL FLOW RATE MAY VARY DEPENDING ON DOMESTIC SUPPLY AND ACCESSORIES

Pressure:	Flow Rate:
0.2bar	14 litres / min
0.3bar	16.8 litres / min
0.4bar	18.6 litres / min
0.5bar	20.9 litres / min
1bar	29.6 litres / min
2bar	41.6 litres / min

Dimensions - TR1082

Diagrams not to scale. All dimensions in mm (tolerance of +/-5mm)



*Dimensions are subject to change, customers are advised to measure actual product before commencing installation.

FAQs

Does the tap come fitted with an aerator?

Yes, the aerator comes pre-installed but can be replaced.

What size plumbing fittings are needed for the threaded legs?

This product will work with standard 3/4" plumbing fittings.

What size are the connections for the shower hose?

The threaded connections on the shower hose are a standard 1/2" BSP connection.

What is the recommended minimum pressure? 0.2 Bar