

TECHNICAL DATA SHEET

Aerial SCT STD Depth Basin - DCI4002

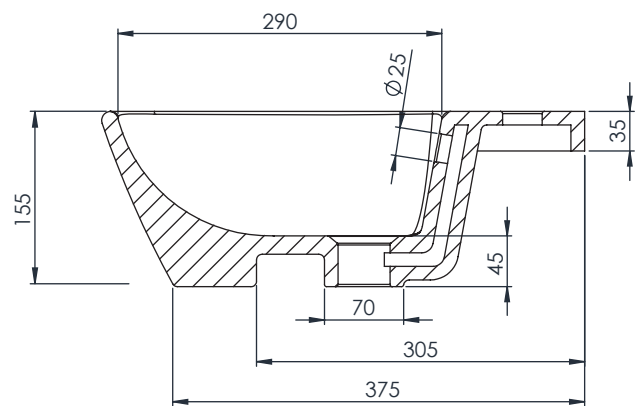
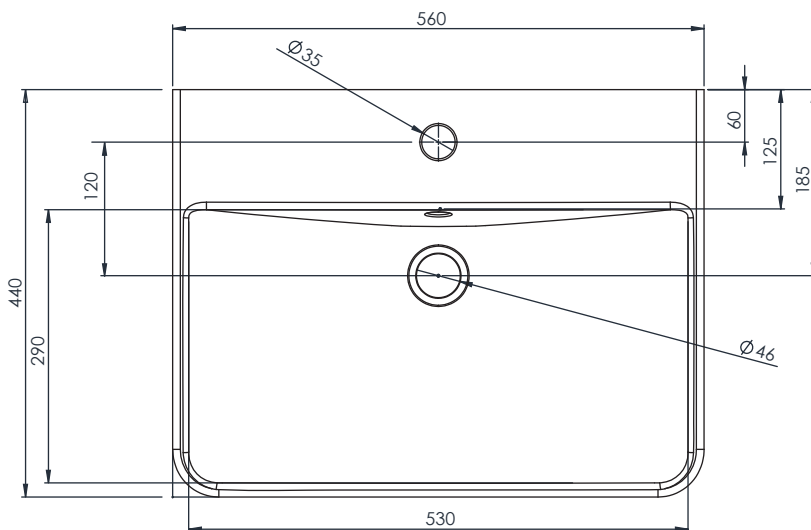
TAVISTOCK

NO.	Description	Product Code	Template included	Gross Weight
I	Semi Recess Basin - Standard Depth	DCI4002	YES	13KG



DIMENSIONS

DIAGRAMS NOT TO SCALE | ALL DIMENSIONS IN MM TOLERANCE OF ± 5 MM
ALL PRODUCTS CONFORM TO BRITISH STANDARDS



*Dimensions are subject to change, customers are advised to measure actual product before commencing installation.
**Fixing point dimensions are for guidance only. The positions of fixings must be checked when product is received.

FAQs

- Q: What is the maximum water depth of the basin?
A: 110mm up to the overflow.
- Q: What is the width and length of the Basin Belly?
A: 525mm wide and projects 290mm from the worktop.
- Q: What is the depth of the Tapledge?
A: The Tapledge is 125mm deep.
- Q: Can you cut the worktop at either end of the bowl?
A: Yes, worktop can be cut to suit installation requirement with or without design and filler panels.
- Q: What configuration is the basin ready to be installed with?
A: Out of the box, it is ready to be installed with a 1500mm length run with 30mm end panels and a 10mm overhang each end.
- Q: What are the taphole/ basin waste sizes?
A: All sizes are to British Standard - (BS EN 31)
- Diameter of the central tap hole = 35mm: $\pm 2/- 1$ mm
Bore of the waste outlet hole = 46mm: $\pm 2/- 3$ mm
Diameter of the base for the seal between the waste outlet hole and the waste fitting = ≥ 60 mm