

Technical Data Sheet

Alto Basin Mixer

TR1143 (Chrome) TR1147 (Gunmetal) TR1151 (Brushed Brass)

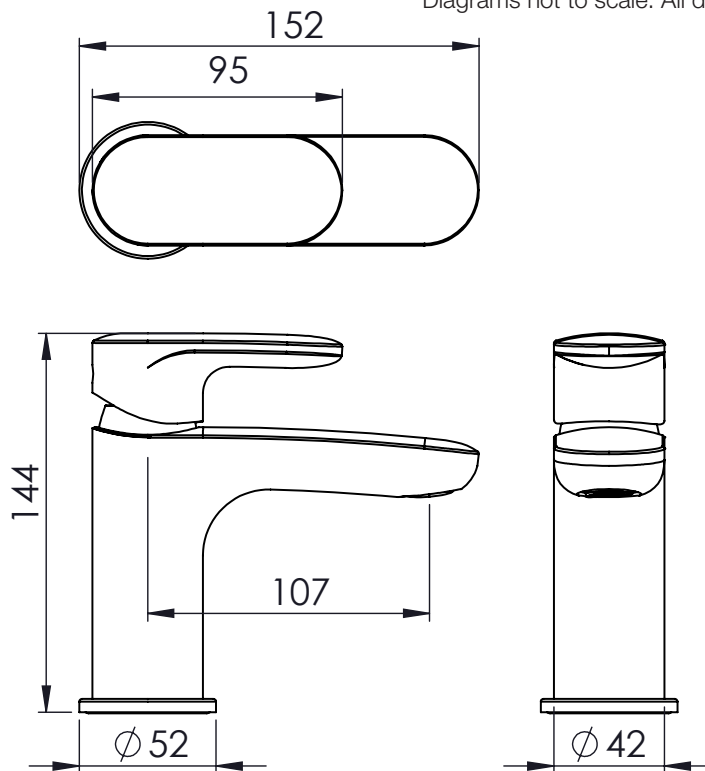


FLOW RATE DATA IS TESTED UNDER LABORATORY CONDITIONS: ACTUAL FLOW RATE MAY VARY DEPENDING ON DOMESTIC SUPPLY AND ACCESSORIES

Minimum Pressure:	0.2 BAR
Pressure:	Flow Rate (l/min)
0.2 BAR	3.5
0.3 BAR	4.3
0.5 BAR	5.6
1 BAR	8.3

Dimensions

Diagrams not to scale. All dimensions in mm (tolerance of +/-5mm)



FAQs

What is the size of the tap tail connection? The tap tails have a standard 1/2" BSP compression fixing suitable for 15mm pipework.

What bore is the tap tail? The tails have a 10mm internal bore.

What length are the tap tails? The tails are 300mm in length.

Does the tap come fitted with an aerator? Yes

What is the minimum recommended pressure? 0.2 Bar

How should the tap be cleaned? Clean only using a warm damp cloth. Do not use any cleaning chemicals to prevent surface damage.