

# Technical Data Sheet

Alto Mini Basin Mixer

TR1144 (Chrome) TR1148 (Gunmetal) TR1152 (Brushed Brass)

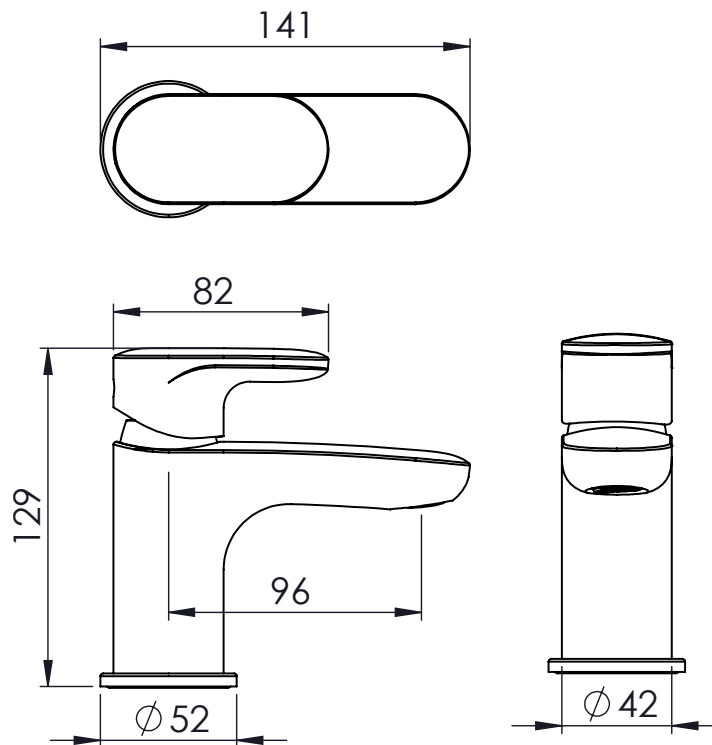


**FLOW RATE DATA IS TESTED UNDER LABORATORY CONDITIONS: ACTUAL FLOW RATE MAY VARY DEPENDING ON DOMESTIC SUPPLY AND ACCESSORIES**

Minimum Pressure:	0.2 BAR
Pressure:	Flow Rate (l/min)
0.2 BAR	3.4
0.3 BAR	4.1
0.5 BAR	5.1
1 BAR	8.1

## Dimensions

Diagrams not to scale. All dimensions in mm (tolerance of +/-5mm)



## FAQs

**What is the size of the tap tail connection?** The tap tails have a standard 1/2" BSP compression fixing suitable for 15mm pipework.

**What bore is the tap tail?** The tails have a 10mm internal bore.

**What length are the tap tails?** The tails are 300mm in length.

**Does the tap come fitted with an aerator?** Yes

**What is the minimum recommended pressure?** 0.2 Bar

**How should the tap be cleaned?** Clean only using a warm damp cloth. Do not use any cleaning chemicals to prevent surface damage.