

Technical Data Sheet

Alto Bath Filler

TR1145 (Chrome) TR1149 (Gunmetal) TR1153 (Brushed Brass)

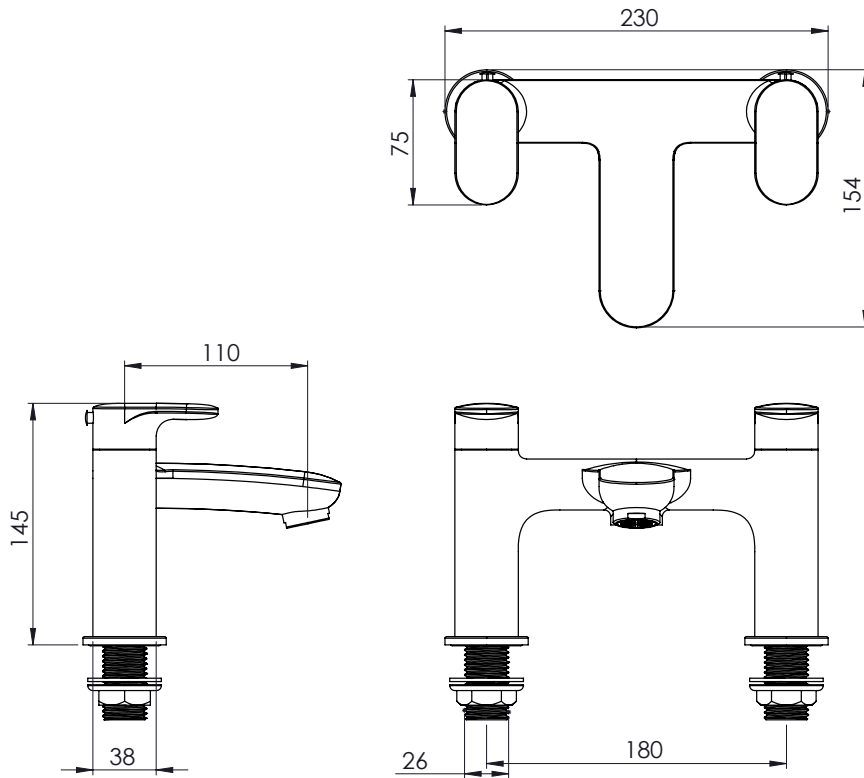


FLOW RATE DATA IS TESTED UNDER LABORATORY CONDITIONS: ACTUAL FLOW RATE MAY VARY DEPENDING ON DOMESTIC SUPPLY AND ACCESSORIES

Minimum Pressure:	0.2 BAR
Pressure:	Flow Rate (l/min)
0.2 BAR	11.7
0.3 BAR	14.8
0.5 BAR	19.3
1 BAR	27.7

Dimensions

Diagrams not to scale. All dimensions in mm (tolerance of +/-5mm)



FAQs

What is the size of the tap inlets? The inlets are suitable for 3/4" plumbing fittings.

Does the tap come fitted with an aerator? Yes

What is the minimum recommended pressure? 0.2 Bar

How should the tap be cleaned? Clean only using a warm damp cloth. Do not use any cleaning chemicals to prevent surface damage.