

Technical Data Sheet

Anthem Basin Mixer With Click Waste

TAN111 (Chrome), TAN1103 (Black), TAN1104 (Brass), TAN1105 (Gunmetal)

TAVISTOCK
inspiring bathrooms

Description

Anthem Basin Mixer With Click Waste

Code

TAN111, TAN99, TAN1103, TAN1104, TAN1105



Chrome Plated



Powder Coated



PVD Coated



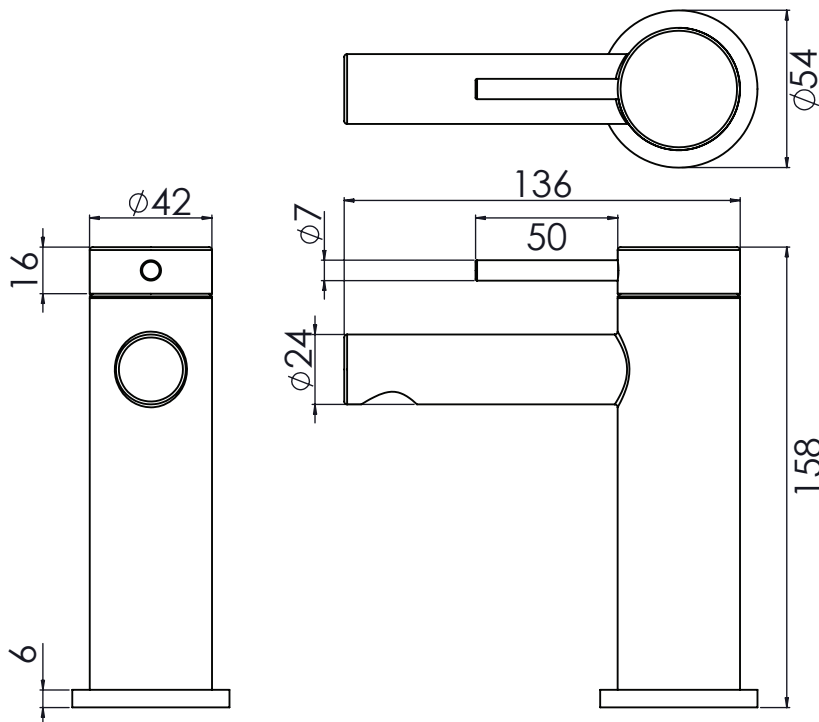
PVD Coated

FLOW RATE DATA IS TESTED UNDER LABORATORY CONDITIONS: ACTUAL FLOW RATE MAY VARY DEPENDING ON DOMESTIC SUPPLY AND ACCESSORIES

Pressure:	Flow Rate:
0.2bar	4.6 litres / min
0.3bar	5.4 litres / min
0.4bar	6.2 litres / min
0.5bar	7 litres / min
1bar	9.7 litres / min
2bar	13.7 litres / min

Dimensions:

Diagrams not to scale. All dimensions in mm (tolerance of +/-5mm)



*Dimensions are subject to change, customers are advised to measure actual product before commencing installation.

FAQs

What is the size of the tap tail connection? The tap tails have a standard 1/2" BSP fixing.

What bore is the tap tail? The tails have a 10mm internal bore.

What length are the tap tails? The tails are 300mm in length.

Does the tap come fitted with an aerator? Yes, the aerator comes pre-installed but can be replaced.

What is the recommended minimum pressure? 0.2 Bar