

Anthem Tall Basin Mixer With Click Waste
 TAN52 (Chrome), TAN5203 (Black), TAN5204 (Brass), TAN5205 (Gunmetal)

No.	Description	Code	Fixings Included
1	Anthem Tall Basin Mixer With Click Waste	TAN52, TAN5203, TAN5204, TAN5205	YES

FLOW RATE DATA IS TESTED UNDER LABORATORY CONDITIONS: ACTUAL FLOW RATE MAY VARY DEPENDING ON DOMESTIC SUPPLY AND ACCESSORIES

Min Pressure:	0.2bar
0.2bar	4. litres / min
0.3bar	5. litres / min
0.4bar	6.2 litres / min
0.5bar	7.0 litres / min
1bar	9.7 litres / min
2bar	13.7 litres / min



Chrome Plated



Powder Coated



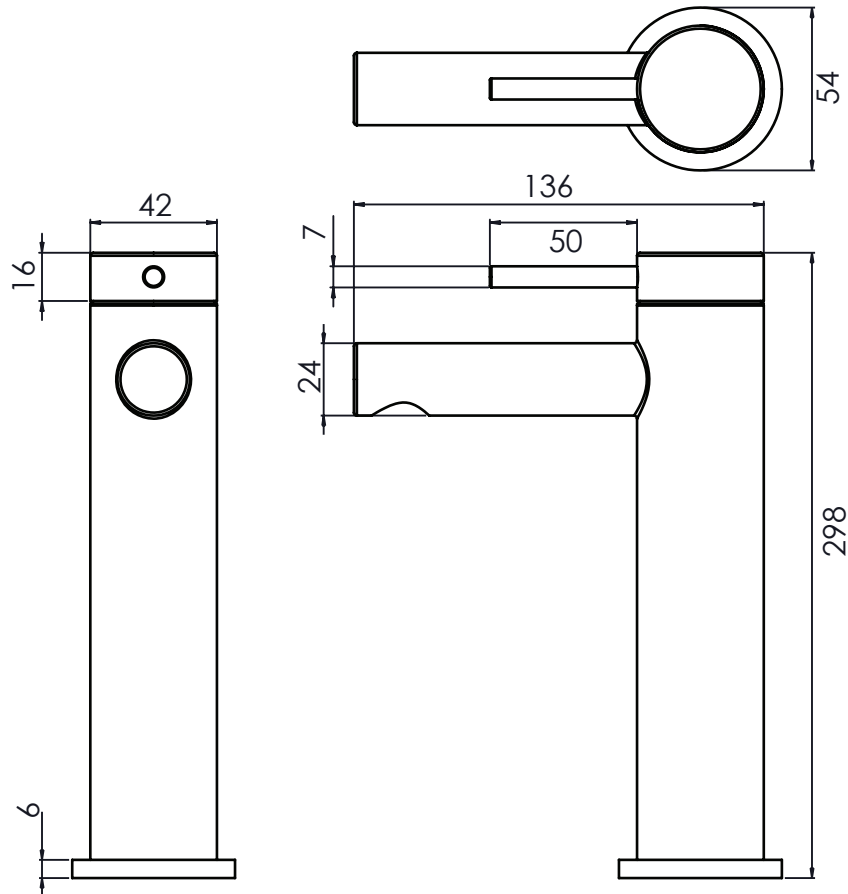
PVD Coated



PVD Coated

Dimensions:

Diagrams not to scale. All dimensions in mm (tolerance of +/-5mm)



*Dimensions are subject to change, customers are advised to measure actual product before commencing installation.

FAQs

What is the size of the tap tail connection? The tap tails have a standard 1/2" BSP fixing.

What bore is the tap tail? The tails have a 10mm internal bore.

What length are the tap tails? The tails are 300mm in length.

Does the tap come fitted with an aerator? Yes, the aerator comes pre-installed but can be replaced. It is not adjustable.