

# Technical Data Sheet

## Anthem Wall Mounted Basin Mixer

TAN19 (Chrome), TAN1903 (Black), TAN1904 (Brass), TAN1905 (Gunmetal)

### Description

### Code

Anthem Wall Mounted Basin Mixer

TAN19, TAN1903, TAN1904, TAN1905

**FLOW RATE DATA IS TESTED UNDER LABORATORY  
CONDITIONS: ACTUAL FLOW RATE MAY VARY  
DEPENDING ON DOMESTIC SUPPLY AND ACCESSORIES**



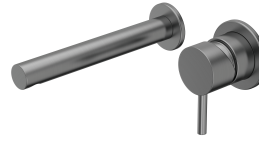
Chrome Plated



Electroplated



PVD Coated

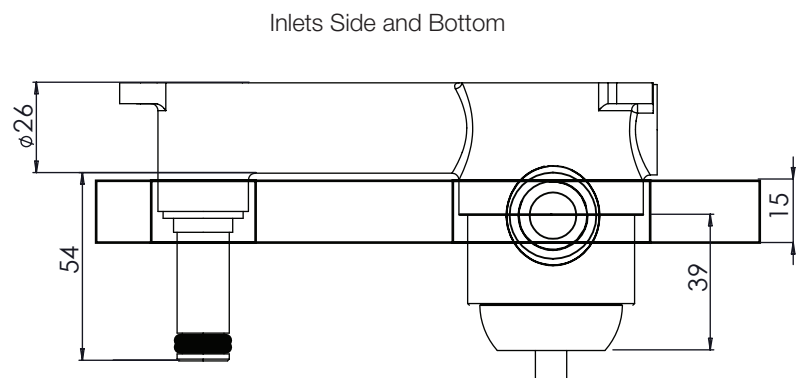
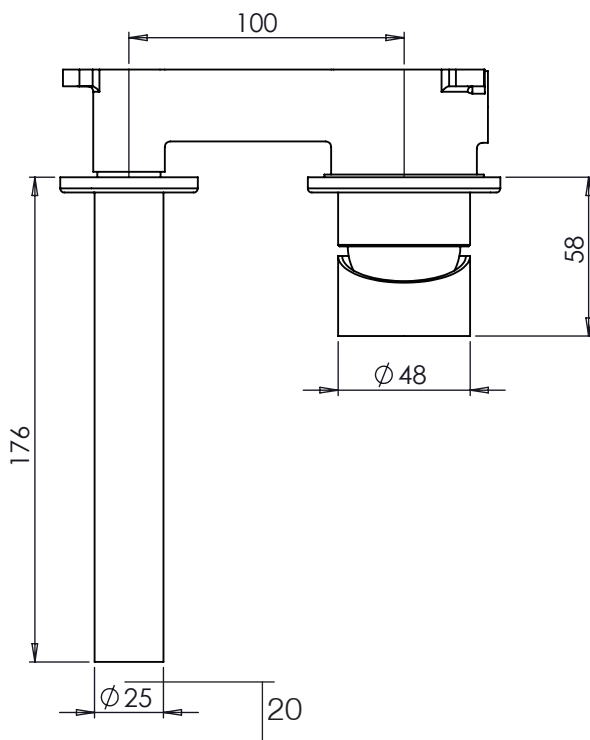


PVD Coated

Min Pressure:	0.2bar
0.2bar	5.4 litres / min
0.3bar	6.3 litres / min
0.4bar	7.1 litres / min
0.5bar	7.9 litres / min
1bar	10.8 litres / min
2bar	14.9 litres / min

### Dimensions:

Diagrams not to scale. All dimensions in mm (tolerance of +/-5mm)



\*Dimensions are subject to change, customers are advised to measure actual product before commencing installation.

### FAQs

**What is the size of the tap threaded connection?** The threaded inlet is 1/2" BSP

**Does the tap come fitted with an aerator?** Yes, the aerator comes pre-installed but can be replaced. It is not adjustable.

**Does the tap come with a click waste?** No, a click waste is not supplied with the wall mounted basin mixer.