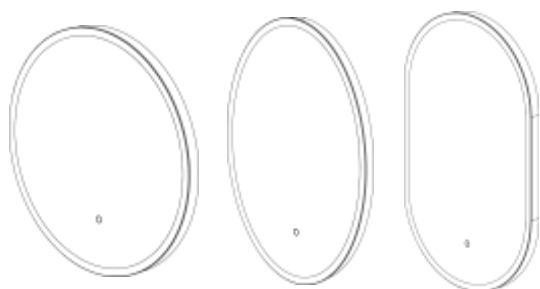


ARC



Box Contents:

Arc Mirror – Circular, Oval or Pill: Instructions booklet | 2x wall plugs | 2x screws

Materials

Frame Material: Extruded Aluminium

Glass: 5mm PVC Backed

FAQ's:	Units	ARM60C	ARM50V	ARM50P
Can the mirror be hung landscape?	-	No		
What is the thickness of the mirror glass?	mm	5		
Is the mirror IP44 rated?	-	Yes – Suitable for use in bathroom zone 2		
What size fuse should I use?	-	Seek the advice of an electrician		
What is the total power consumption?	W	21.2	21.2	27.7
Does the mirror have an energy rating?	-	Yes – It has an energy rating of: A		
What is the colour of the light and the Kelvin rating?	K	6500		
What is the wattage of the lights?	W	12.2	12.2	14.2
Where is the IR sensor/rocker switch located?	-	Front middle		
Can the LED lighting be replaced?	-	No		
Can the Touch sensor be replaced?	-	Yes		
What is the output of the demister pad?	W	9	9	13.5
What are the dimensions of the demister pad? (L x W)	mm	200 x 250	200 X 250	250 x 300
How do I turn on the demister pad?	-	The demister pad will turn on when the LEDs are turned on.		
Are illuminated mirrors supplied with mains cable?	-	All illuminated mirrors are supplied with a removeable 500mm mains cable.		

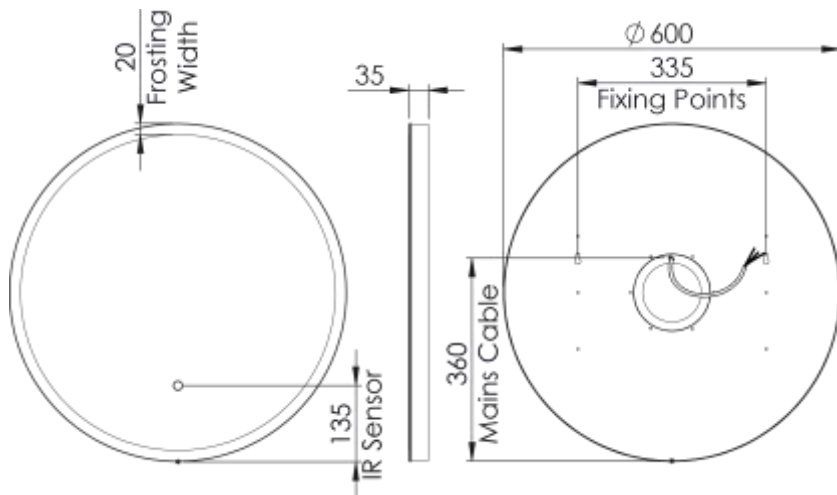
5 Year Guarantee

We have complete confidence in this R2 bathroom Mirror and as such it is offered with a 5-year guarantee against defects in manufacture. The electronics are covered by our 2-year guarantee. In the unlikely event that this product should fail during the guarantee period we will either replace the faulty part or the complete unit as appropriate.

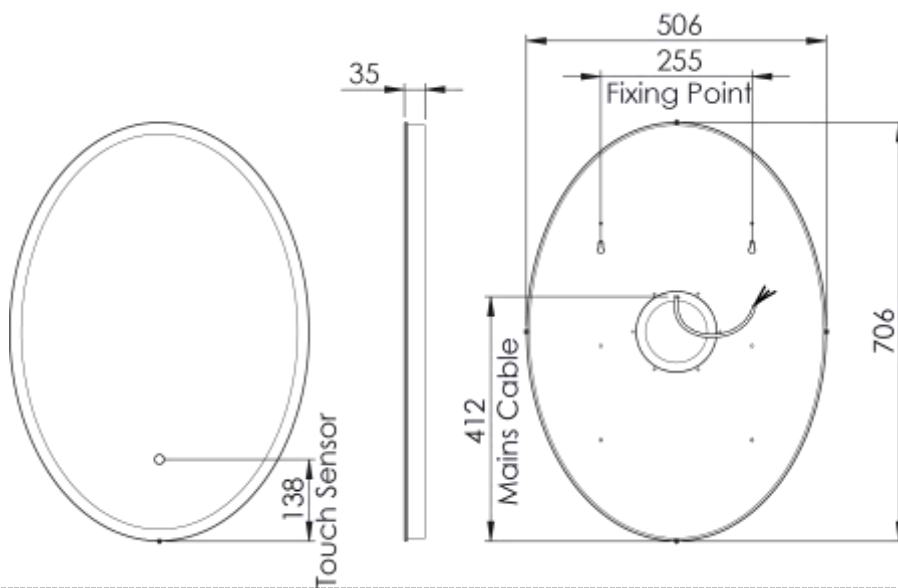
*Dimensions are subject to change, customers are advised to measure actual product before commencing installation.

**Fixing point dimensions are for guidance only/the positions of wall fixing must be checked when product is received.

ARM60C



ARM50V



ARM50P

