

TECHNICAL DATA SHEET

Archetype SCT Slim Depth Basin - DC14028

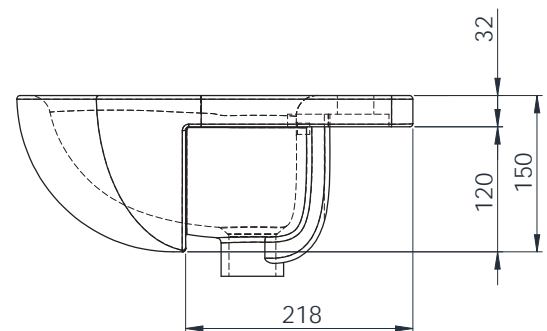
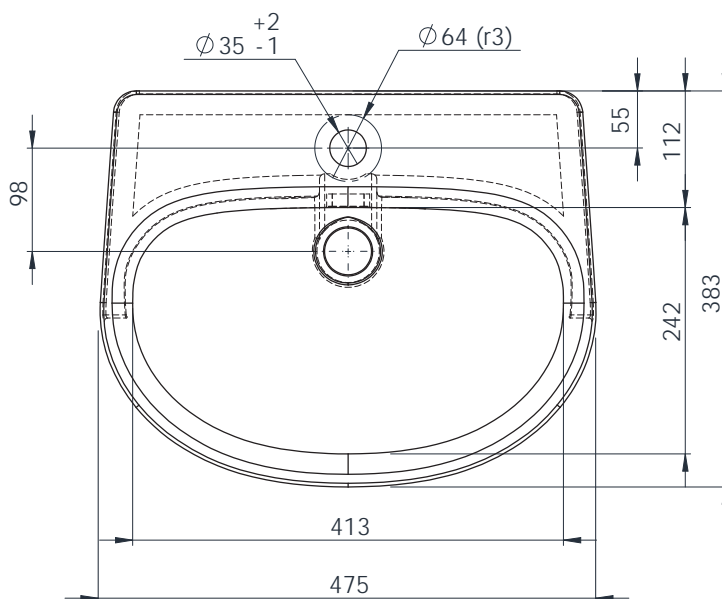
ROPER RHODES®

NO.	Description	Product Code	Template included	Gross Weight
1	Semi Recess Basin - Slim Depth	DC14028	YES	11.7KG



DIMENSIONS

DIAGRAMS NOT TO SCALE | ALL DIMENSIONS IN MM TOLERANCE OF ± 5MM
ALL PRODUCTS CONFORM TO BRITISH STANDARDS



*Dimensions are subject to change, customers are advised to measure actual product before commencing installation.

**Fixing point dimensions are for guidance only. The positions of fixings must be checked when product is received.

FAQs

Q - Is a fitting template supplied?

A - Yes : Questions on cutting dimensions can be found on the template.

Q - How is the basin fixed to the furniture?

A - Fix to workspace with silicone as per instructions supplied.

Key Dimensions Descriptions	Key Dimensions (mm)
Internal Bowl Depth	125mm
Internal Bowl Front to Back	242mm
Internal Bowl Left to Right	413mm
Tap Ledge	112mm
Taphole Centre to Waste Centre	98mm
Taphole Centre to Back of Basin	55mm
Waste Centre to Back of Basin	153mm
Height of Basin	175mm
Basin Overhang	160mm