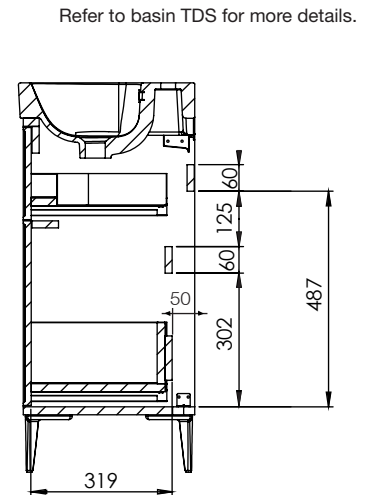
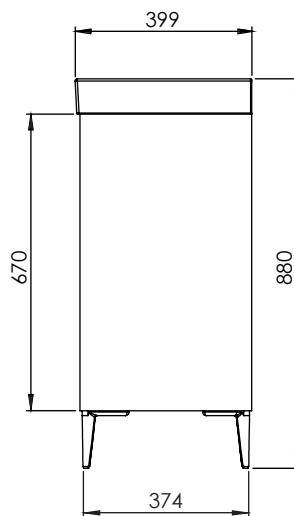
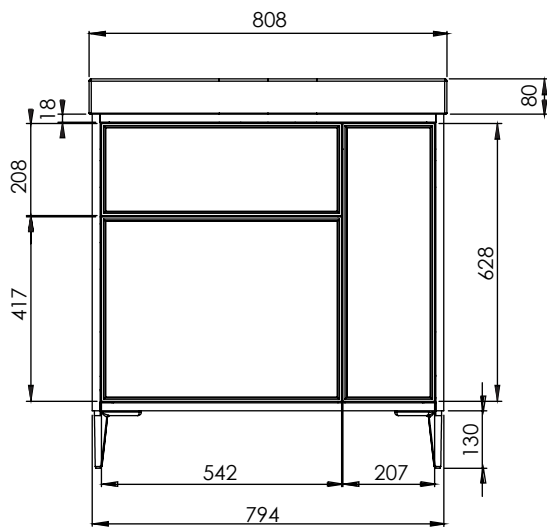


# Technical Data Sheet

## Arlington 800 Unit

What's in the box: 1x ARL8F.X + fixings

**TAVISTOCK**  
inspiring bathrooms



Diagrams not to scale  
All dimensions in mm  
Tolerance of +/-5mm

### Materials

Carcass: 18mm painted MDF  
Fascia Components: 18mm painted MDF

- Dimensions are subject to change, customers are advised to measure actual product before commencing installation.
- Fixing point dimensions are for guidance only/the positions of wall fixing must be checked when product is received.

### Extra Dimensions

Internal Drawer Depth (Front to Back) 285mm

Internal Drawer Height:  
Top 55mm  
Bottom 139mm  
Slim drawer top 90mm  
Slim drawer bottom 90mm

Internal Drawer Width:

Top 495mm  
Bottom 495mm  
Slim drawer top 160mm  
Slim drawer bottom 160mm

Drawer Cut Out (W&D):

135mm x 250mm

### FAQs

Q: Can the unit be purchased without legs?

A: Yes, the unit can be installed wall hung without legs.

Q: How big is the plumbing void?

A: 50mm. The base panel has a cut out for pipe work allowance.

Q: Are the handles fitted?

A: No, there are multiple handle options, the holes will need drilling.

Q: Are the runners soft close?

A: The runners are both soft close and quick release.

Q: How deep is the unit when the drawers are fully open?

A: Approx: 680mm.

Q: Can the drawers be adjusted?

A: The drawer fascia's can be adjusted as detailed in the supplied instructions.

Q: Do the legs come pre-applied for furniture?

A: No - refer to instructions for installation method.

Q: What is the interior finish of the unit?

A: The unit interior finish is dark grey.

Note: colours unique to Tavistock - no RAL code available