

Technical Data Sheet

Ashton Basin Mixer - TR1070

R2

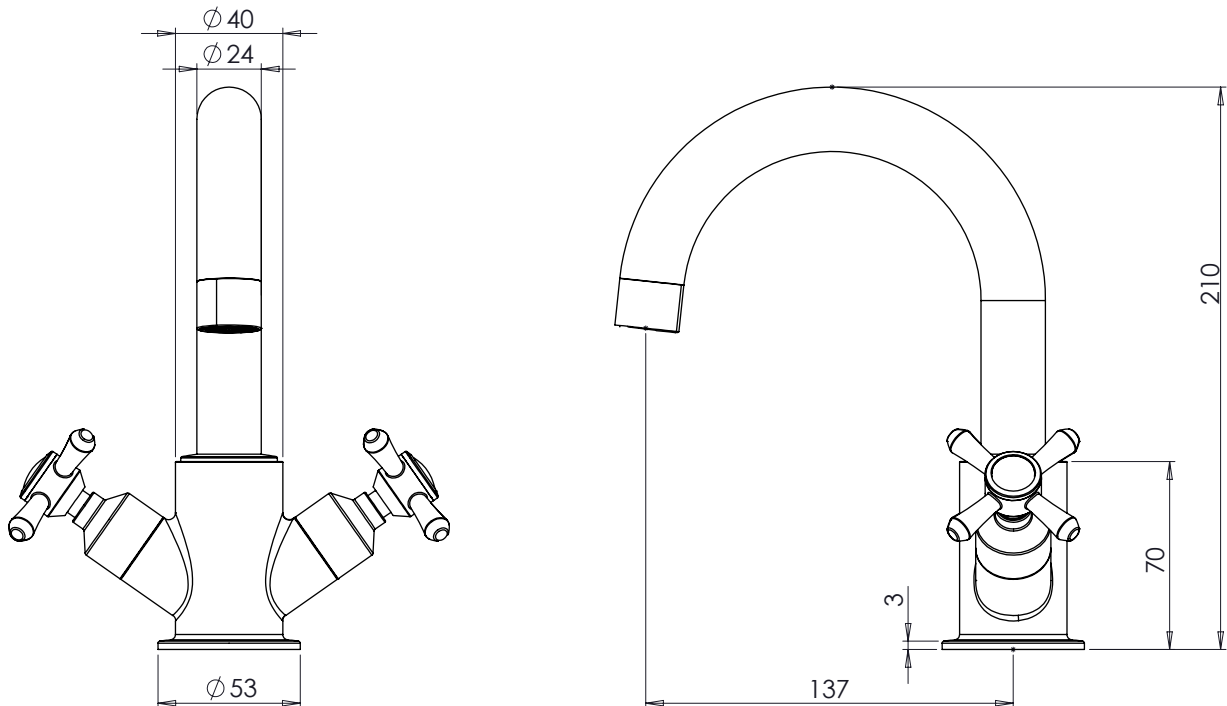
No.	Description	Code	Fixings Included
1	Ashton Basin Mixer	TR1070	YES



Min Pressure:	0.2bar
0.2bar	10.8 litres / min
0.3bar	12.9 litres / min
0.4bar	14.7 litres / min
0.5bar	16.6 litres / min
1bar	23.1 litres / min
2bar	32 litres / min

Dimensions - TR1070

Diagrams not to scale. All dimensions in mm (tolerance of +/-5mm)



*Dimensions are subject to change, customers are advised to measure product before commencing installation.

FAQs

What is the size of the tap tail connection? The tap tails have a standard 1/2" BSP fixing.

What bore is the tap tail? The tails have a 10mm internal bore.

What length are the tap tails? The tails are 300mm in length.

Does the tap come fitted with an aerator? Yes, the aerator comes pre-installed but can be replaced.

Technical Data Sheet

Ashton Bath Filler - TR1071



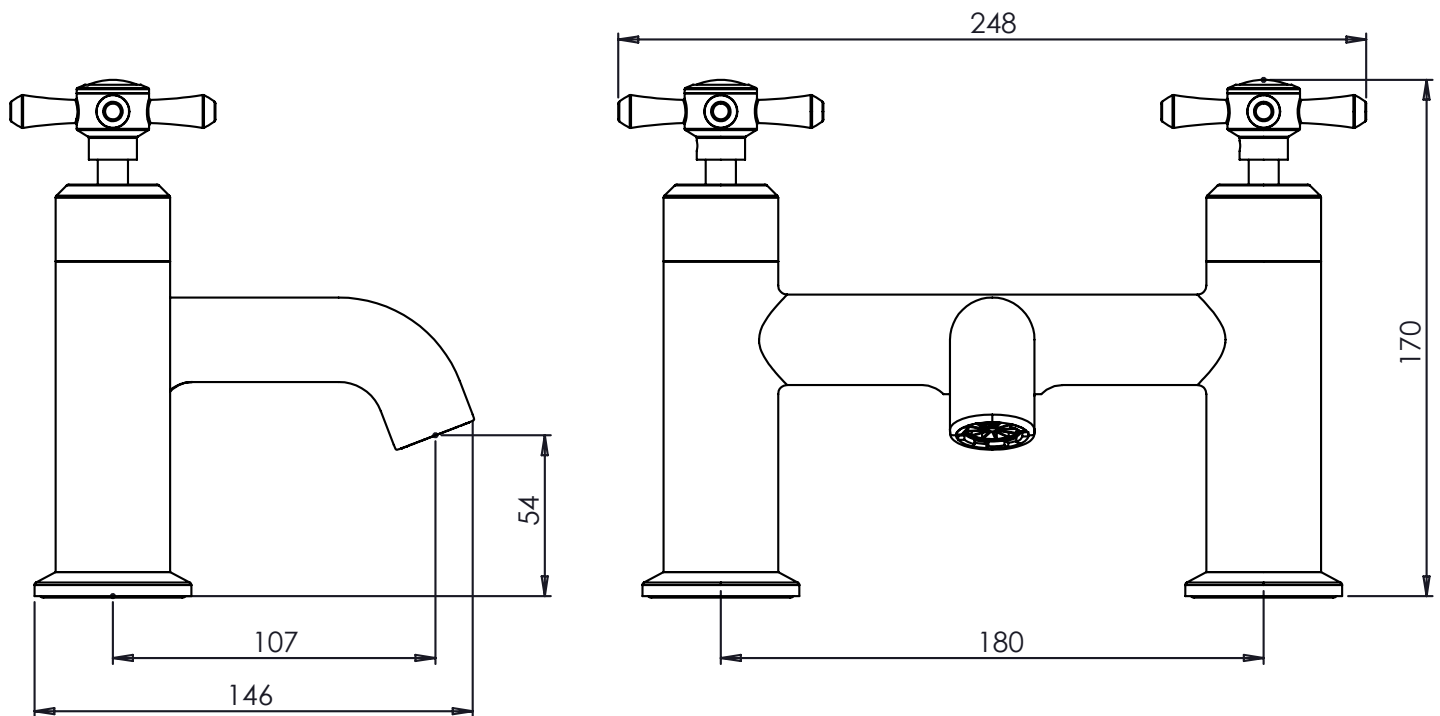
No.	Description	Code	Fixings Included
1	Ashton Bath Filler	TR1071	YES



Min Pressure:	0.2bar
0.2bar	13.7 litres / min
0.3bar	18 litres / min
0.4bar	21 litres / min
0.5bar	23.5 litres / min
1bar	34 litres / min
2bar	48 litres / min

Dimensions - TR1071

Diagrams not to scale. All dimensions in mm (tolerance of +/-5mm)



*Dimensions are subject to change, customers are advised to measure product before commencing installation.

FAQs

Does the tap come fitted with an aerator? Yes, the aerator comes pre-installed but can be replaced.

What size plumbing fittings are needed for the threaded legs? This product will work with standard 3/4" plumbing fittings.

Technical Data Sheet

Ashton Bath Shower Mixer - TR1080



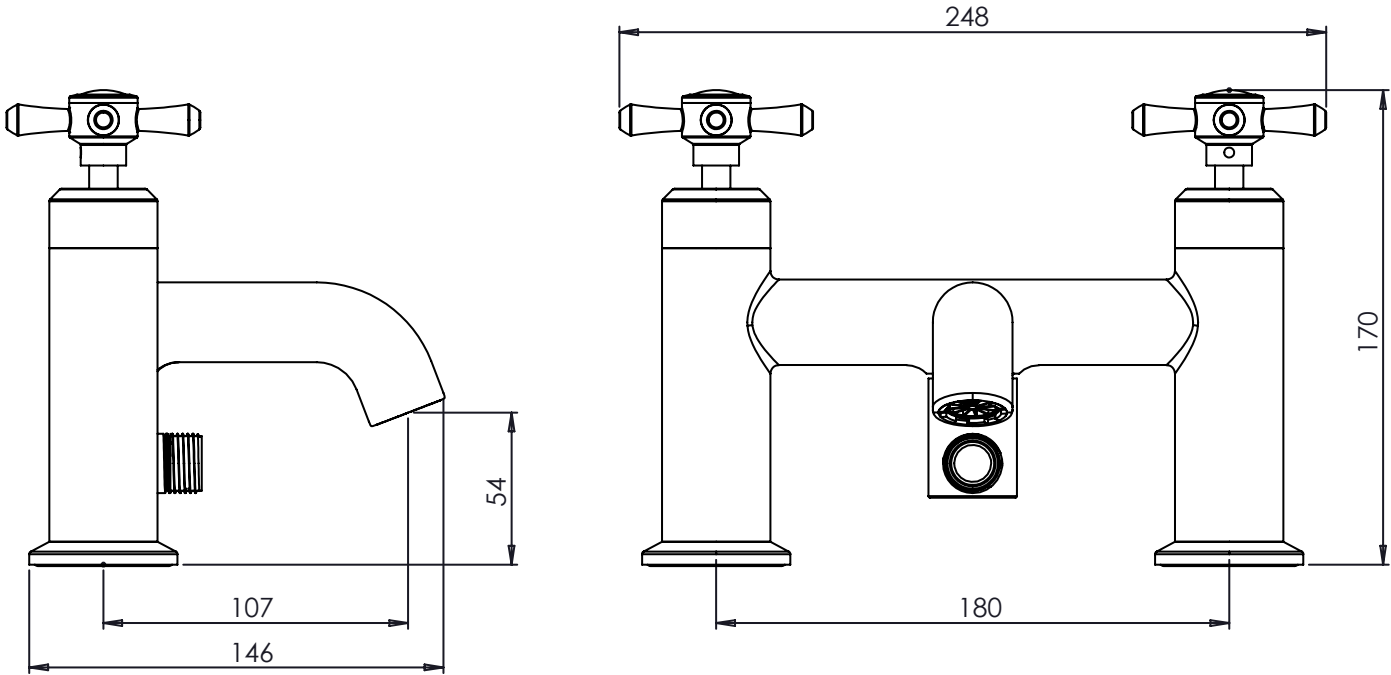
No.	Description	Code	Fixings Included
1	Ashton Bath Shower Mixer	TR1080	YES



Min Pressure:	0.2bar
0.2bar	10 litres / min
0.3bar	13 litres / min
0.4bar	15 litres / min
0.5bar	17 litres / min
1bar	25 litres / min
2bar	35 litres / min

Dimensions - TR1080

Diagrams not to scale. All dimensions in mm (tolerance of +/-5mm)



*Dimensions are subject to change, customers are advised to measure product before commencing installation.

FAQs

Does the tap come fitted with an aerator? Yes, the aerator comes pre-installed but can be replaced.

What size plumbing fittings are needed for the threaded legs? This product will work with standard 3/4" plumbing fittings.

What size are the connections for the shower hose? The threaded connections on the shower hose are a standard 1/2" BSP connection.