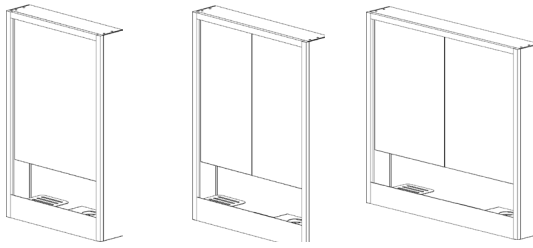


Technical Data Sheet

BOOST



Box Contents:

Boost Cabinet | 5 glass shelves | 1x Wall hanging bracket | 3x wall plugs | 3x screws | Instructions booklet

Materials:

Carcass: Extruded Aluminium | Door: Mirror on Mirror | Backboard: 3mm MDF and 5mm glass

Glass: 3mm PVC Backed

FAQ's:

	Units	BTC050	BTC060	BTC080
Recess dimensions (H x W) – See notes	mm	777 x 490 x 105	777 x 590 x 105	777 x 790 x 105
Internal dimensions (H x W x D)	mm	442 x 526.5 x 83	542 x 526.5 x 83	742 x 526.5 x 83
Shelf dimensions (W x D x H)	mm	191.5 x 82 x 5	241.5 x 82 x 5	341.5 x 82 x 5
Max shelf spacing	mm	70		
Distance between door hinges	mm	345		
Individual door dimensions (H x W x D)	mm	439 x 550 x 6	269 x 550 x 6	369 x 550 x 6
Door opening angle	°	110		
Depth with door fully open	mm	Surface Mount: 550 + 120		
Hanging bracket centres	mm	NA		
What is the thickness of the mirror glass?	mm	6		
Is the cabinet IP44 rated?	-	Yes		
What size fuse should I use?	-	Seek the advice of an electrician		
What is the total power consumption?	W	88	117	125
Does the mirror have an energy rating?	-	F		
What is the colour of the light and the Kelvin rating?	K	2700k - 6000K		
What is the Lumen of the LEDs?*	Lms	1140	1380	1890
What is the wattage of the lights?	W	18	22	30
Where is the IR Sensor located?	-	Underneath doors - Right side		
Where is the shaver socket located?	-	In the centre column		
Can the LED lighting be replaced?	-	No		
Can the slider controller switch be replaced?	-	Yes		
What is the output of the demister pad?	W	25	50	50
What are the dimensions of the demister pad?	mm	200 x 300	200 x 300 x 2pcs	
How do I turn on the demister pad?	-	The demister pad will turn on when the LEDs are turned on.		
Are illuminated mirrors supplied with mains cable?	-	All illuminated mirrors are supplied with a removeable 500mm mains cable. There is ample storage for excess cable in the back of the unit.		

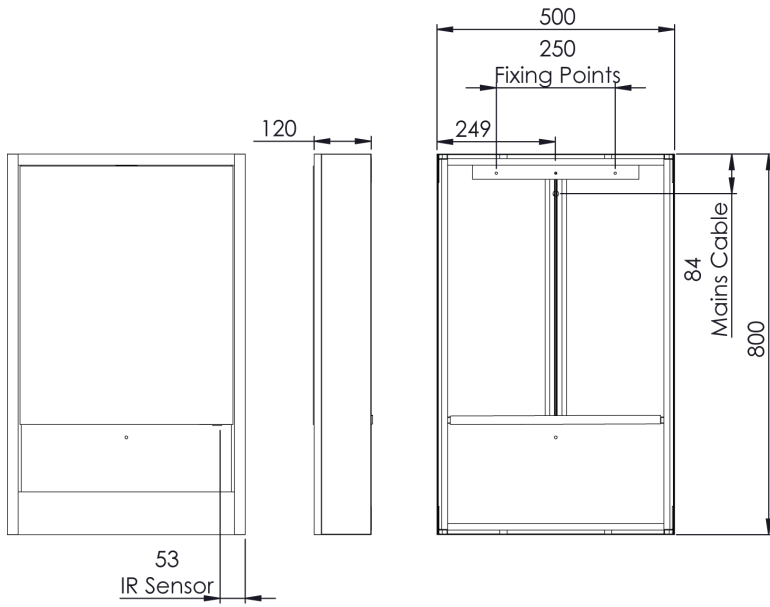
Recessing the cabinet – the product is designed to be installed into a 100mm stud wall. Depending on fascia finishes, there may be a small gap between the cabinet frame and wall finish to accommodate sealant around the perimeter.

Dimensions are subject to change; customers are advised to measure actual product before commencing installation.

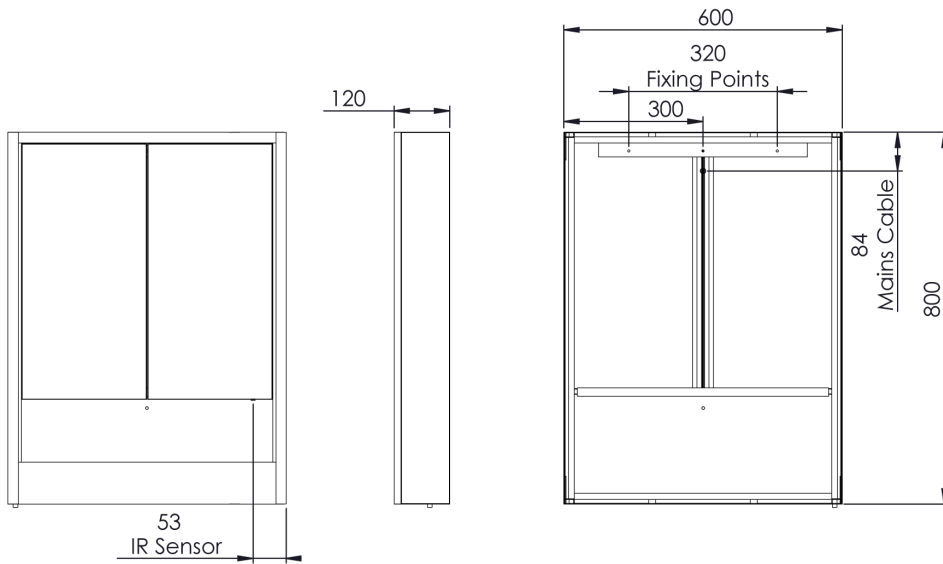
Fixing point dimensions are for guidance only/the positions of wall fixing must be checked when product is received.

***The Lumen represents the output of the LED. This may vary depending on the diffuser material i.e., glass or acrylic.**

BTC050



BTC060



BTC080

