

TECHNICAL DATA SHEET

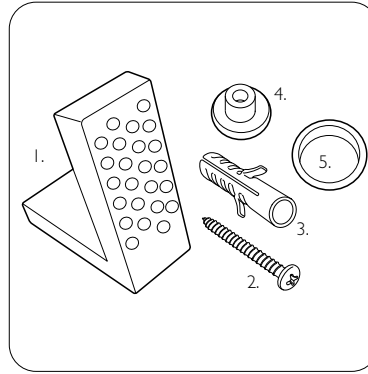
Marston Semi-Comfort Height BTW WC

TAVISTOCK

NO.	Description	Product Code	Fixings included	Gross Weight
1	BTW Pan	BTWC1250S	YES	29KG
2	Soft Close Quick Release Toilet Seat	TS1255S-SF	YES	3KG



Floor Fixings

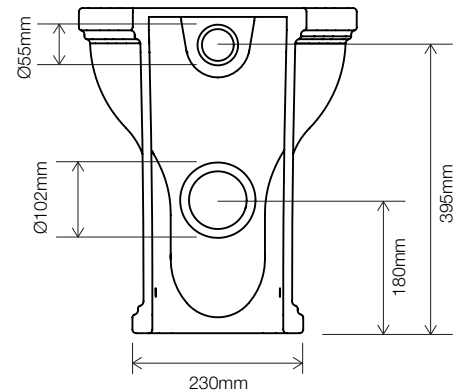
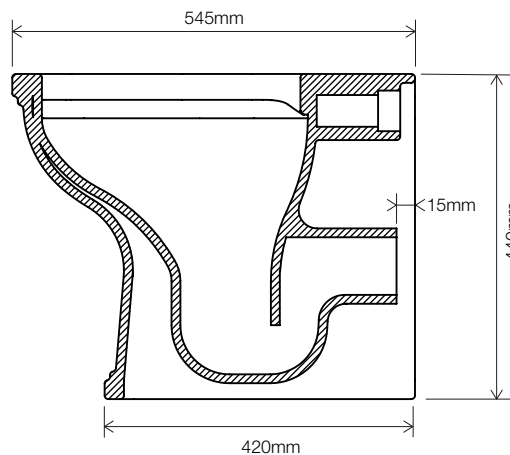
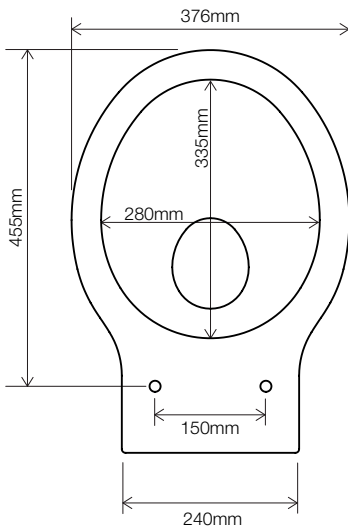


- 1. 2x Nylon Floor Bracket
- 2. 4x Stainless Steel Screws
- 3. 2x Nylon Screw Plugs
- 4. 2x Nylon Screw Collars
- 5. 2x Nylon Collar Caps (Metalic Finish)

Spare Code: SP11078

DIMENSIONS

DIAGRAMS NOT TO SCALE | ALL DIMENSIONS IN MM TOLERANCE OF ± 5MM
ALL PRODUCTS CONFORM TO BRITISH STANDARDS



*Dimensions are subject to change, customers are advised to measure actual product before commencing installation.

**Fixing point dimensions are for guidance only. The positions of fixings must be checked when product is received.

FAQs

Q - Rim Type?
A - Rimless

Q - What is the flush volume?
A - 6/3L when using a TR9008 or VOR790 cistern.

Q - Are there any other compatible seats?
A - Yes, a solid wooden natural oak seat and painted wooden seats in matt black and white are available.

Q - What finish is the ceramic glaze?
A - Alpine White

Semi-Comfort Height FAQ

Q - Which concealed cistern should I use with this WC?
A - A comfort height cistern TR9008 should be used with this product. If you would like to use slim depth furniture with a flush plate then a VOR790 (Vortex) cistern must be used to achieve this.

Q - Do I need to use a comfort height back to wall panel if I am using Legacy Fitted Furniture?
A - No, you can use either a standard height OR comfort height panel with this WC.

Key Dimensions Descriptions	Key Dimensions (mm)
Front to Back Footprint	420mm
Left to Right Footprint	230mm
Bowl Front to Back	335mm
Bowl Left to Right	280mm
Pan Height	440mm
Pan Overall Front to Back	545mm
Centre Waste Outlet to Floor	180mm + 15mm - 10mm
Width of Void	190mm
Is there a Ceramic Brace Bar	No
Distance from Spigot to back of Pan	15mm