

TECHNICAL DATA SHEET

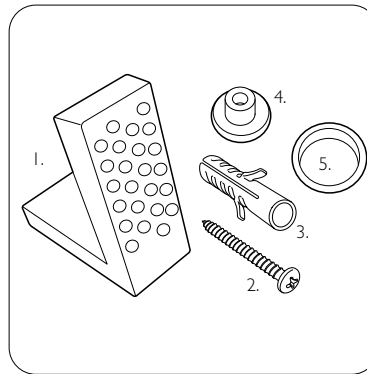
Marston Semi-Comfort Height Open Back CC WC

TAVISTOCK

NO.	Description	Product Code	Fixings included	Gross Weight
1	Close Coupled Button Cistern	C1255SBR5	YES	14KG
2	Soft Close Quick Release Seat	TS1255S-SF	YES	3KG
3	Open Back CC WC	PC1250S	YES	34KG



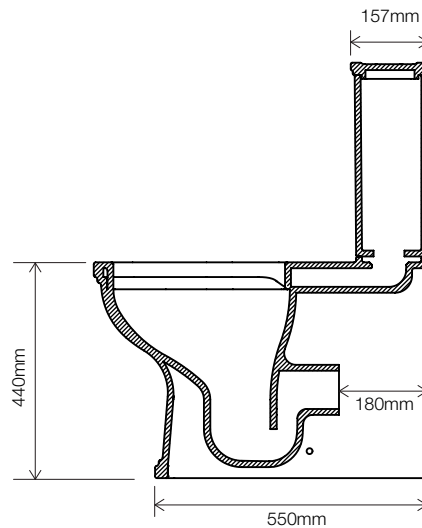
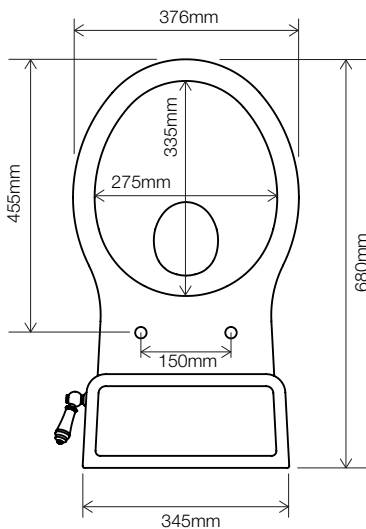
Floor Fixings



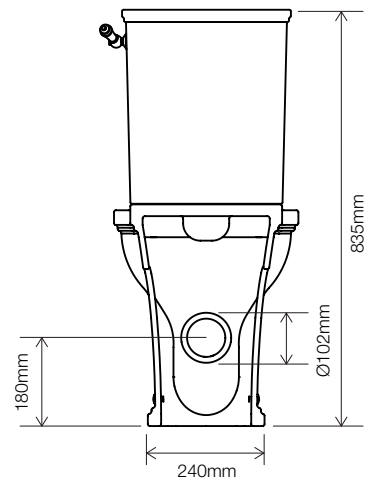
- 1. 2x Nylon Floor Bracket
- 2. 4x Stainless Steel Screws
- 3. 2x Nylon Screw Plugs
- 4. 2x Nylon Screw Collars
- 5. 2x Nylon Collar Caps (Metalic Finish)

Spare Code: SPI 1078

DIMENSIONS



DIAGRAMS NOT TO SCALE | ALL DIMENSIONS IN MM TOLERANCE OF ± 5MM
ALL PRODUCTS CONFORM TO BRITISH STANDARDS



*Dimensions are subject to change, customers are advised to measure actual product before commencing installation.

**Fixing point dimensions are for guidance only. The positions of fixings must be checked when product is received.

FAQs

Q - Where is the inlet valve?
A - Bottom inlet, back left of pan.

Q - What is the flush volume?
A - 4.5/3L

Q - Are there any other compatible seats?
A - Yes, a solid wooden natural oak seat and painted wooden seats in matt black and white are available.

Q - Rim Type?
A - Rimless

Q - Can the handle be used on both sides of the cistern?
A - No, the handle can only be used on the right hand side of the cistern, as shown above.

Q - What finish is the ceramic glaze?
A - Alpine White

Q - What finish is the flush handle supplied with the cistern?
A - Brass

Q - Can the cistern come with another flush handle finish?
A - Yes, by using the code C1255SCHR, the cistern is provided with a chrome material

Key Dimensions Descriptions	Key Dimensions (mm)
Front to Back Footprint	420mm/550mm from wall
Left to Right Footprint	240mm
Bowl Front to Back	335mm
Bowl Left to Right	275mm
Pan Height (+Cistern)	440mm (835mm)
Pan Overall Front to Back	680mm
Centre Waste Outlet to Floor	180mm + 15mm - 10mm
Width of Void	185mm
Is there a Ceramic Brace Bar	No
Distance from Spigot to back of Pan	180mm