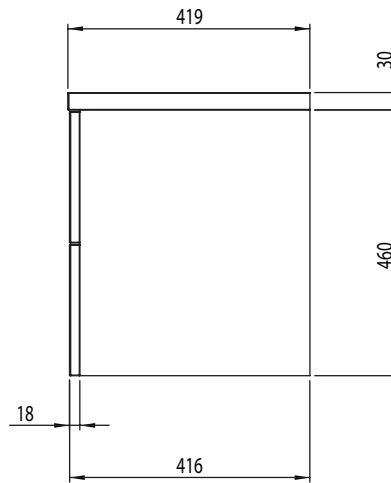
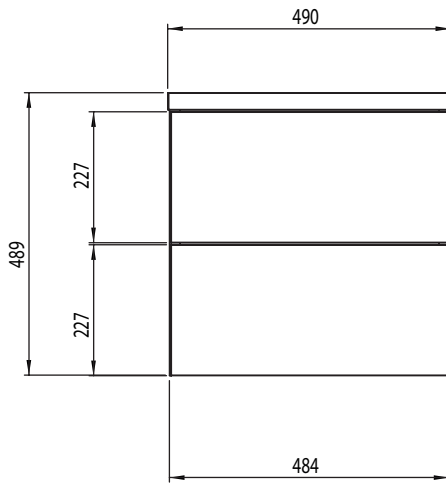


Technical Data Sheet

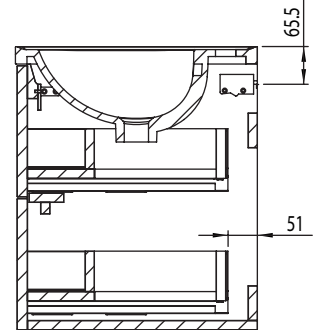
TAVISTOCK

CADENCE 500mm Wall Mounted Unit

Whats in the box: 1x CA500W.X + Fixings



*Reference basin TDS for further info



Diagrams not to scale
All dimensions in mm
tolerance of +/-5mm

Materials

Carcass: 18mm MFC or Painted MDF

Fascia Components: 18mm MFC or Painted MDF

**Dimensions are subject to change, customers are advised to measure actual product before commencing installation.

***Fixing point dimensions are for guidance only/the positions of wall fixing must be checked when product is received.

Extra Dimensions

Internal Drawer Depth - Front to Back:

327mm

Internal Drawer Height:

70mm

Internal Drawer Width:

406mm

Drawer Cut Out (W&D):

204mm x 243mm

Hanger Centres:

731mm

FAQs

Q: How big is the plumbing void at the back of the furniture?

A: 51mm

Q: Are the handles fitted?

A: No, handles need fitting.

Q: Are the runners soft close?

A: The runners are both soft close and quick release.

Q: How deep is the unit when the drawers are fully open?

A: Approx. 780mm including handle.

Q: Can the drawers be adjusted?

A: The drawers can be adjusted as detailed in the supplied instructions.

Q: What is the interior finish of the unit?

A: The unit interior finish is dark grey.

Q: Why wont the basin fit on the furniture?

A: Make sure the silicone strip has been fixed to the underside of the basin before installing if using a ceramic basin. *See image below*



NOTE: Colours unique to Tavistock - No RAL Code available