

# Technical Datasheet

## Portrait Cabinets

### Box Contents

Portrait Cabinet | 4 smoked glass shelves | 1x Wall hanging bracket | Fixing Kit | Instructions booklet.  
Recessed and surface mounted installation options.

### FAQ

	Units	PTC050-XX	PTC060-XX	PTC080-XX
Recess dimensions (W x H x D) *	mm	473 x 673 x 85	573 x 673 x 85	773 x 673 x 85
Internal dimensions (W x H x D)	mm	190 x 640 x 91	240 x 640 x 91	340 x 640 x 91
Shelf dimensions (W x H x D)	mm	178 x 5 x 70	228 x 5 x 70	328 x 5 x 70
Max shelf spacing	mm	315	15	315
Distance between door hinges	mm	510	510	510
Individual door dimensions (W x H x D)	mm	470 x 666 x 6	282 x 666 x 6	381 x 666 x 6
Door opening angle	°	90	90	90
Depth with door fully open	mm	578	393.5	493.5
Hanging bracket centres	mm	NA	NA	NA
What is the thickness of the mirror glass?	mm	3+3mm	3+3mm	3+3mm
What size fuse should I use?	-	Seek the advice of an electrician		
Where is the switch sensor located?	-	Underneath		
Can the LED lighting be replaced?	-	No		
Can the switch sensor be replaced?	-	No		
How do I turn on the demister pad?	-	The demister pad will turn on when the LEDs are turned on.		
Are illuminated cabinets/mirrors supplied with mains cable?	-	All illuminated cabinets/mirrors are supplied with a removeable 500mm mains cable. There is ample storage for excess cable in the back of the unit.		

#### \* Please note:

- Dimensions are subject to change. Customers are advised to measure actual product dimensions before commencing installation.
- Recess dimensions are for guidance only. We recommend measuring the product dimensions and adding a minimum of 5mm to provide some tolerance during installation.
- Fixing point dimensions are for guidance only. The positions of wall fixing must be checked when product is received.
- The LED (lm) values represent the output of the LED. Actual product level Lumen output may vary depending on the diffuser material i.e., glass or acrylic.

# Technical Datasheet

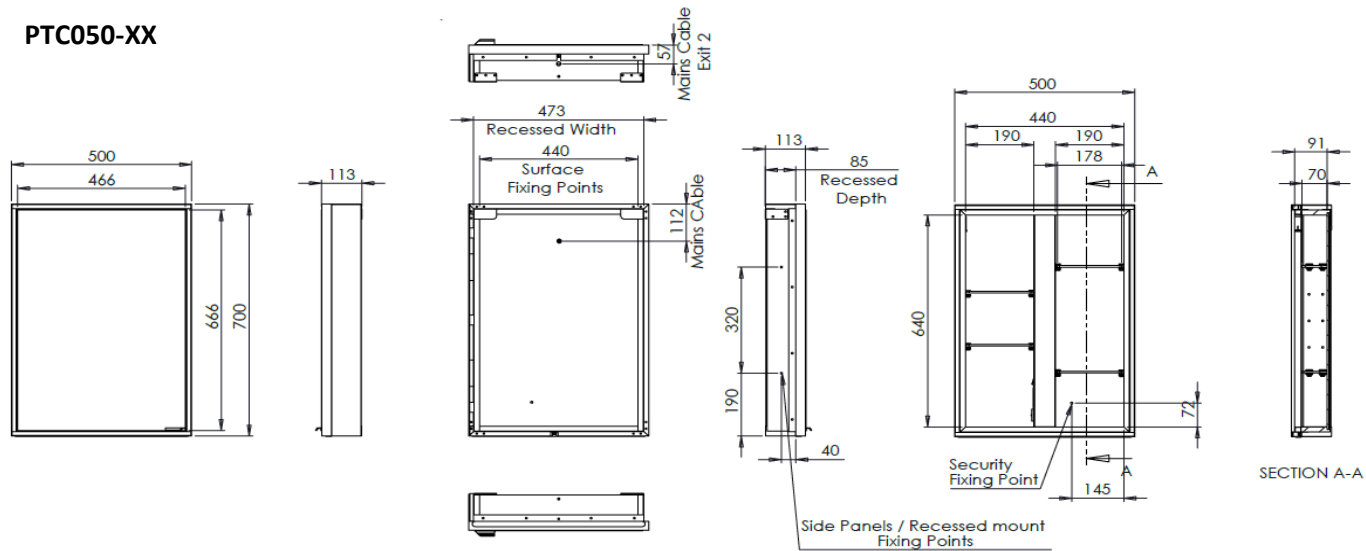
## Portrait Cabinets

### Electrical Specification

Product Code	Input Voltage	Lamp Type	Total Wattage (LED & Demist)	Demist (W)	Demist Size (mm)	LEDs (W)	LED (lm)	Energy Rating	CCT (K)	CRI	IP Rating	Electrical Class
PTC050-XX	220-240V 50Hz	12V DC LED Lamp	59.5	25.0	200x298	24.0	1728	F	3000-6000	85	IP44	Class I
PTC060-XX	220-240V 50Hz	12V DC LED Lamp	86.5	50.0	200x299	26.0	1872	F	3000-6000	85	IP44	Class I
PTC080-XX	220-240V 50Hz	12V DC LED Lamp	90.5	50.0	200x300	30.0	2160	F	3000-6000	85	IP44	Class I

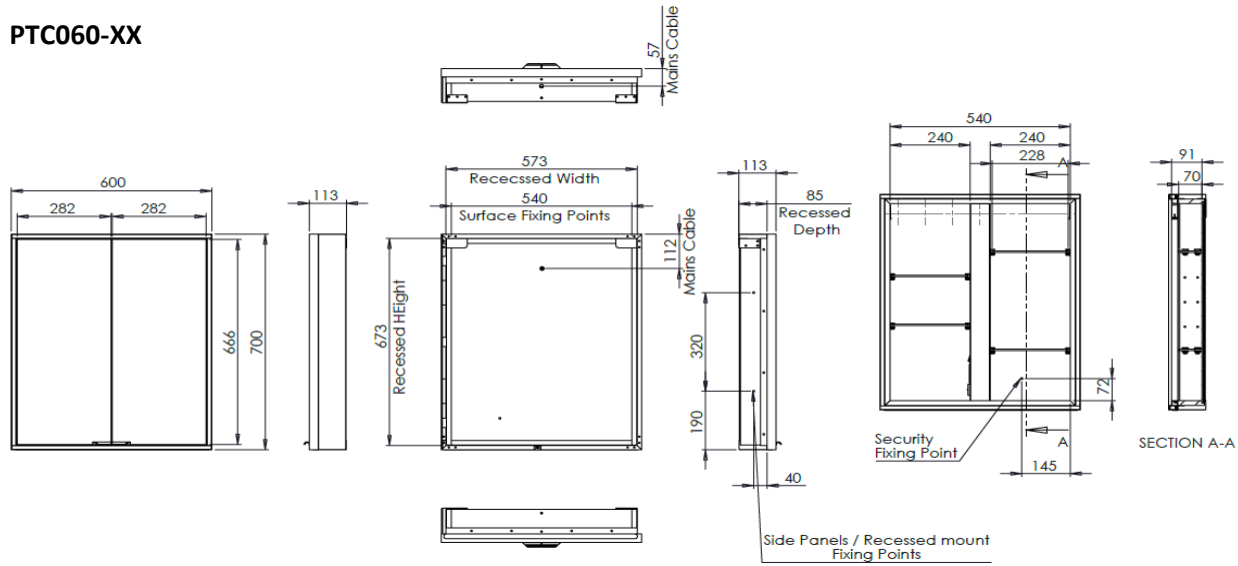
### Technical Drawings

**PTC050-XX**



# Technical Datasheet

## PTC060-XX



## PTC080-XX

