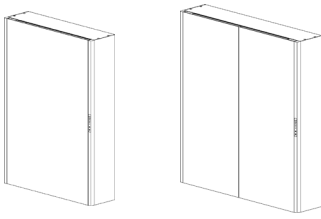


SLIDE



Box Contents:

Slide Cabinet | 3 glass shelves | 2x Wall hanging brackets | 6x wall plugs | 6x screws | Instructions booklet

Materials:

Carcass: Extruded Aluminium | Door: Mirror on Mirror | Backboard: 3mm MDF

Glass: 3mm PVC Backed | Carcass end caps: Painted plastic

FAQ's:	Units	SDC050U	SDC065U
Internal dimensions (L x W x D)	mm	460 x 615 x 118	620 x 615 x 118
Shelf dimensions (L x W x D)	mm	460 x 100 x 4	620 x 100 x 4
Max shelf spacing	mm	273	
Distance between door hinges	mm	335	
Individual door dimensions (L x W x D)	mm	500 x 703 X 20	703 x 303 x 20
Door opening angle	°	95	
Depth with door fully open	mm	600	430
Hanging bracket centres	mm	220	610
What is the thickness of the mirror glass?	mm	3mm	
Is the cabinet IP44 rated?	-	Yes	
What size fuse should I use?	-	Seek the advice of an electrician	
What is the total power consumption?	W	59.3	63.3
Does the cabinet have an energy rating?	-	F	
What is the colour of the light and the Kelvin rating?	K	3500k - 6500K	
What is the Lumen of the LEDs?*	Lms	3864 - 4200	
What is the wattage of the lights?	W	16.8	
Where is the slider controller switch located?	-	Right side	
Where is the shaver socket located?	-	Inside on the top right	
Can the LED lighting be replaced?	-	No**	
Can the slider controller switch be replaced?	-	No	
What is the output of the demister pad?	W	12	16
What are the dimensions of the demister pad?	mm	400 x 200	400 x 150 (2pcs)
How do I turn on the demister pad?	-	The demister pad will turn on when the LEDs are turned on.	
Are illuminated mirrors supplied with mains cable?	-	All illuminated mirrors are supplied with a removeable 500mm mains cable. There is ample storage for excess cable in the back of the unit.	

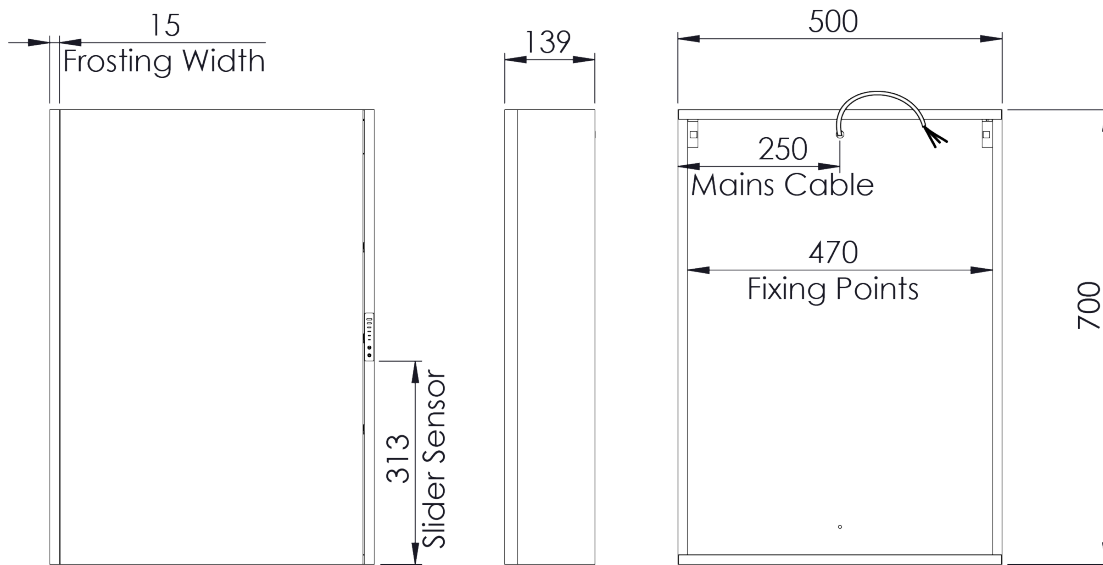
Dimensions are subject to change; customers are advised to measure actual product before commencing installation.

Fixing point dimensions are for guidance only/the positions of wall fixing must be checked when product is received.

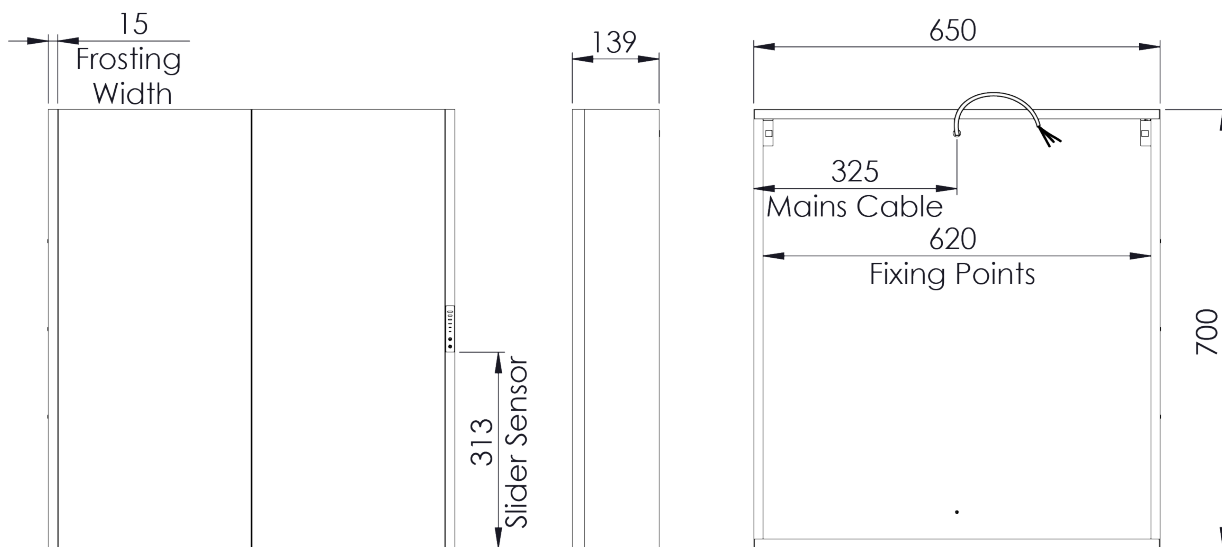
*The Lumen represents the output of the LED. This may vary depending on the diffuser material i.e., glass or acrylic.

**The LEDs are not replaceable to maintain the integrity of the product's resistance to moisture ingress.

SDC050U



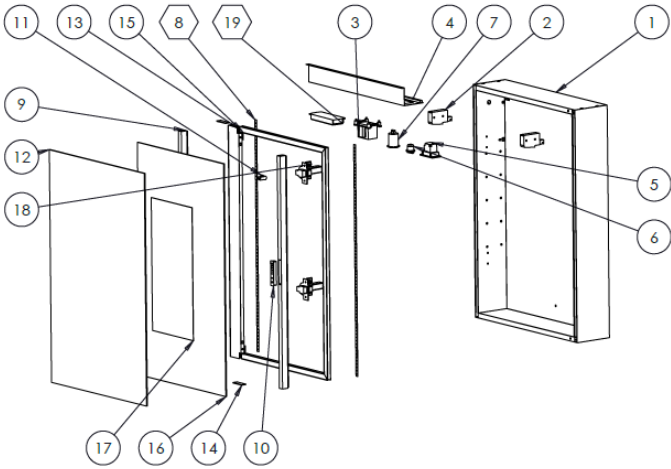
SDC065U



Slide ERP

SLIDE
APPLICABLE TO: SDC050U, SDC065U

Product must be turned off and isolated from the power supply before performing maintenance



ITEM NO.	PART NUMBER	REF.	MATERIAL	QTY.	ENERGY RATING	REPLACEABLE BY	JUSTIFICATION IF NOT REPLACEABLE
1	Carcass			1			
2	Hanging Bracket			2			
3	Transformer	DC-240-0080T		1			
4	Electronics Case			1			
5	Shaver Socket	JR-230V		1			
6	Rocker Switch	KCD1-2		1			
7	USB Socket	YJ-DS-2015		1			
8	LEDs	TQ12V-2835-CCT2-1630		2	F		IP rating compromised
9	Diffuser			2			
10	Slider Switch	SL-01		1			
11	Door Power Connector			1			
12	Mirror Door			1			
13	Door Edges			4			
14	End Cap			2			
15	L Bracket			4			
16	Inner Mirror Door			1			
17	Demister Pad	BGRR-REW		1			
18	DTC Hinge	C85A4A6H		2			
19	Driver	SLT30-12VLG-ES/ SLT15-12VF-2S		1			

LIGHT SOURCE/CONTROL GEAR
 PROFESSIONAL
 USER
 NOT REPLACEABLE

REPLACEABLE (LED ONLY) LIGHT SOURCE BY A PROFESSIONAL
 CATEGORY:
 LIGHT SOURCE
 CONTAINING PRODUCT
 CONTROL GEAR

REPLACEABLE CONTROL GEAR BY A PROFESSIONAL

TOOLS REQUIRED - Phillips Screwdriver

ROPER RHODES[®]
 Design © Roper Rhodes Ltd
Copyright / design right owned by Roper Rhodes Ltd. In the event of this being infringed Roper Rhodes Ltd will take any necessary legal action to protect it.

Revision: 14 April 2022	Title: Slide ERP	Drawn by: Jess Gardner
Created: 23 March 2022	Material:	
Sheet 1 of 1	Finish:	Dimensions: mm Scale: 1:10



A3