

SAFETY NOTICE

Wear suitable eye protection when cutting. Take care when using power tools near water - the use of a residual current device (RCD) is recommended. Beware of hidden pipes or cables. Use a piece of masking tape to prevent the drill from wandering.

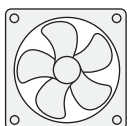
BASIN AFTERCARE INSTRUCTIONS

As with all isocast basins, this product should be treated with care.

We recommend...



Wipe away any water splashes or condensation after use. Excessive exposure to water will deteriorate the worktop.



All bathrooms should be well ventilated with a suitable extractor fan.



Clean with a soft damp cloth only.



For removal of lime scale deposits use a suitable proprietary cleaner. If necessary test on an inconspicuous area first.

Please DO NOT...

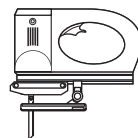


Do not scrub or scour

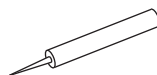


Do not use abrasive cleaning agents

TOOLS needed...



JIGSAW



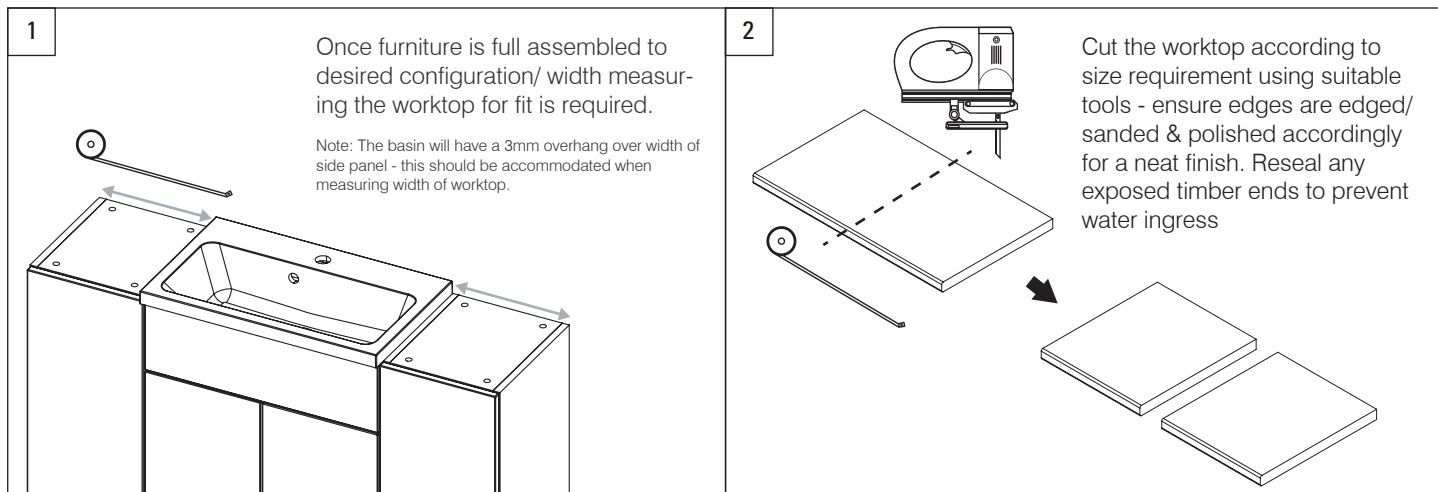
SEALANT SILICONE TUBE

Replacement Components

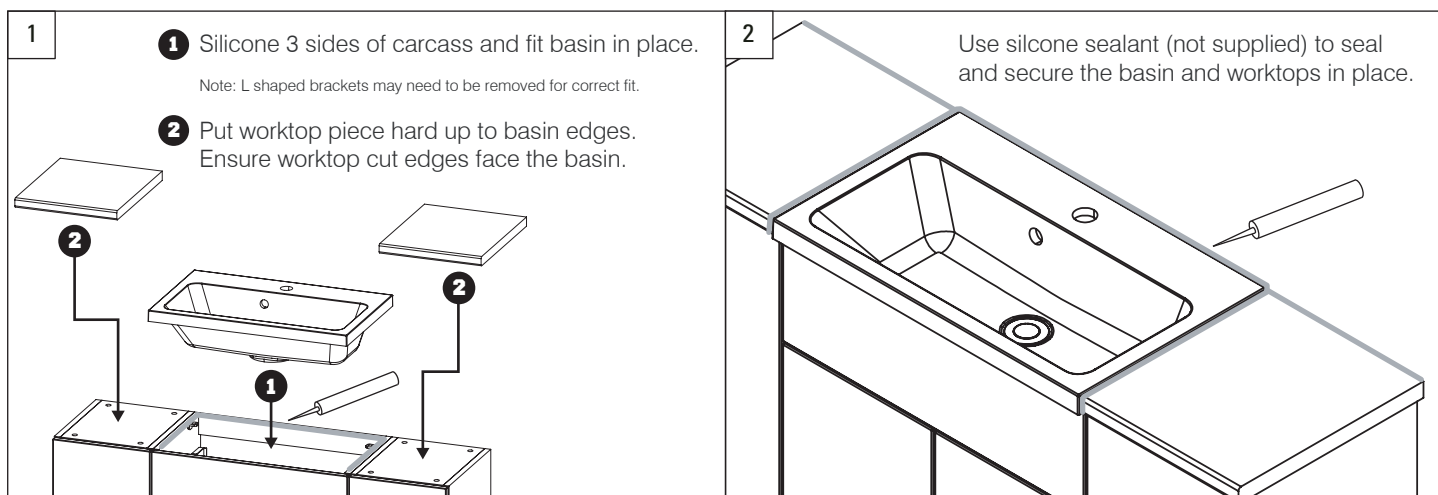
Should you require any replacement components for this product please contact Customer Services using the contact details below.

PREPARE THE WORKTOP

Club basin requires no modification to size. **DO NOT** cut or sand as this will damage the material's exterior surface. To fit within a run of furniture follow the below instruction.

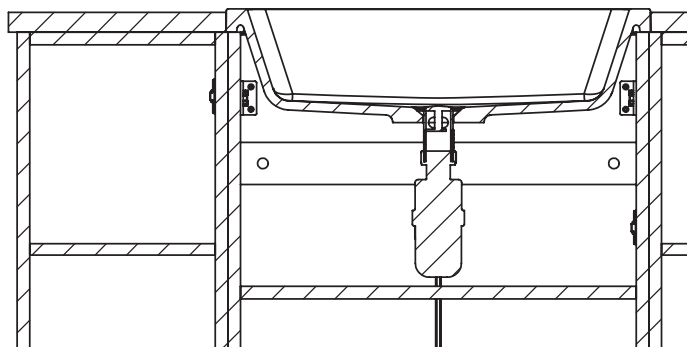


FITTING BASIN AND WORKTOPS



Cross section view for showing basin and worktop position

The basin has been designed to require no alteration modification. Overhang on LH/RH of basin unit is purposeful.



Details of silicone sealant in place

Bead of Silicone

WORKTOP

BASIN