

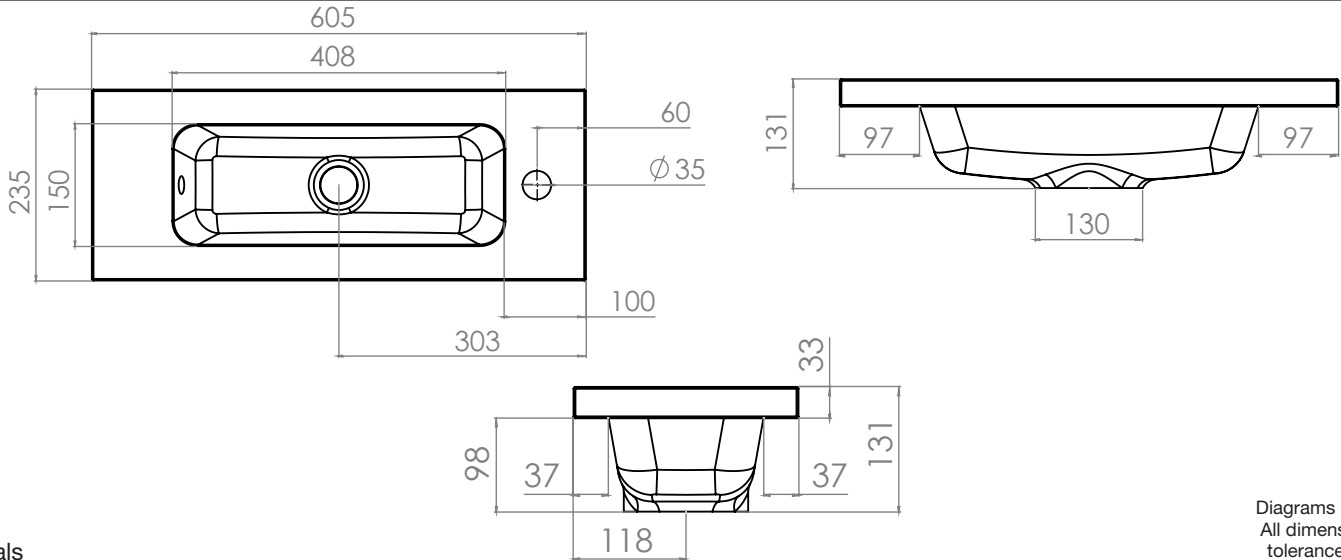
# Technical Data Sheet

## SLIM CLUB IN-LINE BASIN

What's in the box: 1x CL60522

# R2

### FAQs



Diagrams not to scale  
All dimensions in mm  
tolerance of +/-2mm

### Materials

Fascia Components: Painted Finishes: 18mm MDF - Wood Effect Finishes: 18mm MFC

\*Dimensions are subject to change, customers are advised to measure actual product before commencing installation.

\*\*Fixing point dimensions are for guidance only/the positions of wall fixing must be checked when product is received.

### Isocast Information

Has many names including:

- Gelcoat
- Cultured marble
- Cast mineral marble
- Synthetic marble

This basin is produced in Swedish owned Polish factory who were one of the first to market with this material the 1970s. Base material is 70% natural (aggregate dolomite rock - calcareous magnesium carbonate). A misconception is that this material is completely manmade. The other 30% is a mixture of various polyester resins.

A 1.5 - 2.0mm Top coating of "gelcoat" which is the proprietary name for the polyester resin used to seal all top faces of the basin / worktop. This can be glossy or matt. Tolerance of +3/-0mm. Ceramic is more typically +5/-5mm. Fully tested against multiple stains which can either be removed with standard cleaners (autosol for example) or the specialist clean and shine repair kits.

Product is tested and approved by the following associations:

- CE, IAPMO R&T (USA), Building research institute.

### FAQs

Q: What is the maximum water depth of the basin?

A: 95mm up to the overflow.

Q: What is the width of the Tapledge?

A: The Tapledge is 99mm wide.

Q: What is the distance from the Taphole centre to Basin Waste?

A: 243mm.

Q: Are fixings supplied?

A: No.

Q: Does the basin fit other furniture?

A: No. This basin is fit with R2 fitted furniture range only.

Q: What are the taphole/ basin waste sizes?

A: All sizes are to British Standard - (BS EN 31)

- Diameter of the central tap hole = 35mm : +2/ -1mm
- Bore of the waste outlet hole = 46mm : +2 / - 3mm
- Diameter of the base for the seal between the waste outlet hole and the waste fitting =  $\geq 60$  mm