

Technical Data Sheet

ROPER RHODES®

Clear Deck Mounted Bath Filler - T363202

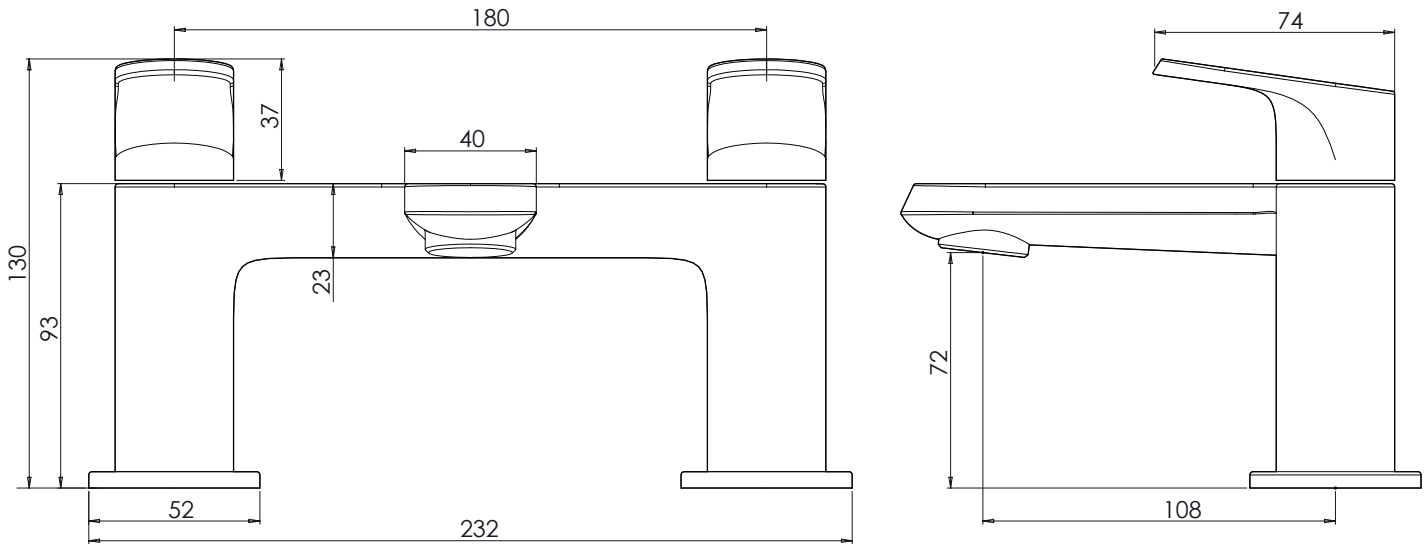
No.	Description	Code	Fixings Included
1	Clear Deck Mounted Bath Filler	T363202	YES



Min Pressure:	0.2bar
0.2bar	13.6 litres / min
0.5bar	20.5 litres / min
1bar	27.9 litres / min
2bar	37.7 litres / min
3bar	45.9 litres / min

Dimensions:

Diagrams not to scale. All dimensions in mm (tolerance of +/-5mm)



*Dimensions are subject to change, customers are advised to measure actual product before commencing installation.

FAQs

What is the size of the bath filler threaded connection? The threaded connectors have a standard 3/4" BSP fixing.

Does the product come fitted with an aerator? Yes, the aerator comes pre-installed but can be replaced.