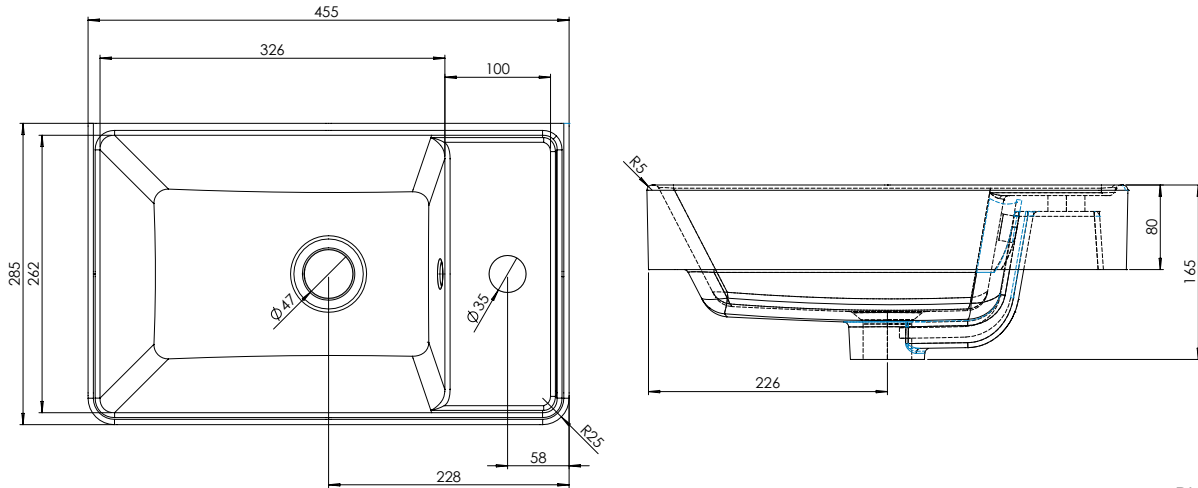


Technical Data Sheet

COMPASS 450mm Ceramic Basin

What's in the box: 1x CM450C

TAVISTOCK
inspiring bathrooms



Diagrams not to scale
All dimensions in mm
Tolerance of +/-5mm

Materials

Basin: Ceramic

*Dimensions are subject to change, customers are advised to measure actual product before commencing installation.

FAQs

Q: What is the maximum water depth of the basin?

A: 66mm up to the overflow.

Q: What is the internal depth?

A: The internal depth is 110mm.

Q: What is the width of the Tapledge?

A: The Tapledge is 100mm wide.

Q: What is the distance from the Taphole centre to Basin Waste?

A: 170mm

Q: Can this basin be wall mounted?

A. No.

Q: Does the basin fit other furniture?

A. No.

Q: What are the taphole/ basin waste sizes?

A: All sizes are to British Standard - (BS EN 31)

- Diameter of the central tap hole = 35mm : +2/ -1mm
- Bore of the waste outlet hole = 46mm : +2 / - 3mm
- Diameter of the base for the seal between the waste outlet hole and the waste fitting = ≥ 60 mm