

Technical Data Sheet

475 Single Door Cabinet - CM CAB475

Whats in the box: 1x Cabinet + Fixings+ Shelves

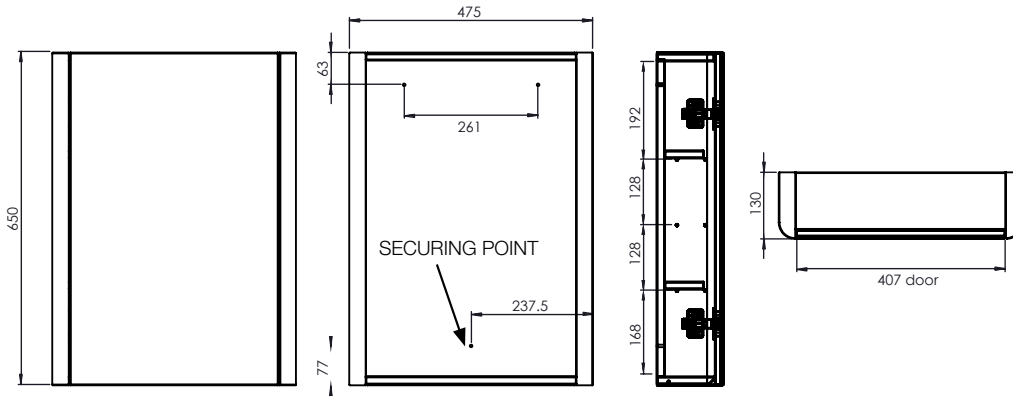
TAVISTOCK

Materials

Carcass: Painted MDF

Door: MDF

Mirror: Bevelled glass mirror



*Dimensions are subject to change, customers are advised to measure actual product before commencing installation.

**Fixing point dimensions are for guidance only/the positions of wall fixing must be checked when product is received.

Diagrams not to scale. All dimensions in mm (tolerance of +/-5mm)

FAQ's

- | | |
|---|---------------------------------------|
| Q: Internal dimensions (Width x Depth). | A: 410 x 93mm |
| Q: Shelf dimensions (Length x Width x Depth). | A: 410 x 93 x 15mm |
| Q: Max shelf spacing. | A: 241mm |
| Q: Distance between hinge centres. | A: 414mm |
| Q: Door dimensions (Height x Width x Depth). | A: 650 x 406 x 17mm |
| Q: Door opening angle. | A: 90° |
| Q: Depth with door fully open. | A: 516mm |
| Q: Hanging brackets centres. | A: 256mm |
| Q: What is the thickness of the cabinet door glass? | A: 5mm PVC back filmed (On 12mm MDF). |