

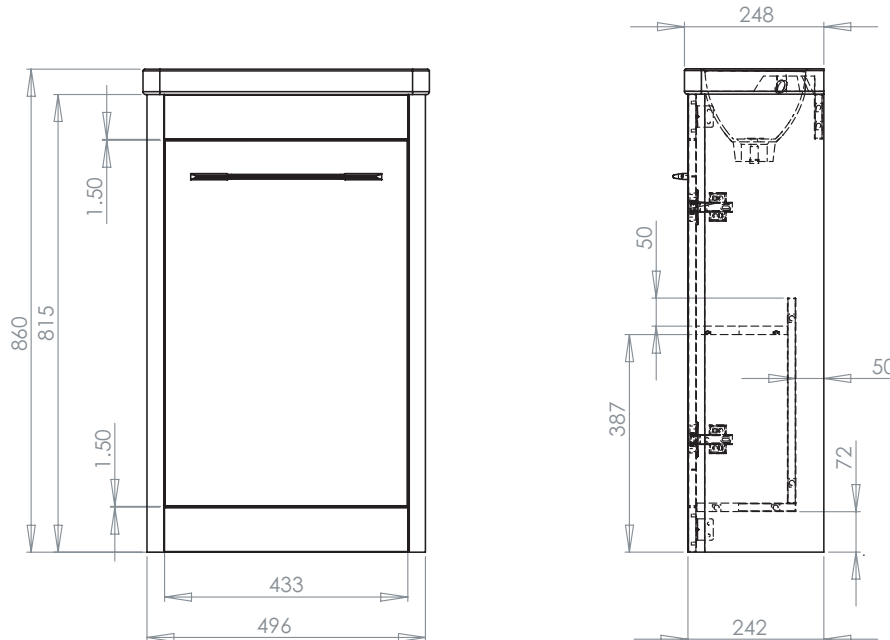
Technical Data Sheet

CONTOUR 500mm Floor Mounted Cloakroom Unit

Whats in the box: 1x CN5010.X

R2

*Reference basin TDS for further info



Diagrams not to scale
All dimensions in mm
tolerance of +/-5mm

Materials

Carcass: 16mm Painted & Melamine Faced MDF

Fascia Components: 16mm Painted MDF

**Dimensions are subject to change, customers are advised to measure actual product before commencing installation.

***Fixing point dimensions are for guidance only/the positions of wall fixing must be checked when product is received.

FAQs

- | | |
|--|--|
| Q: How big is the plumbing void? | A: 50mm. |
| Q: Are the handles fitted? | A: No, handles need fixing. Holes are pre-drilled. |
| Q: How far apart are the hole centres for the handles? | A: 320mm. |
| Q: Are the hinges soft close? | A: The hinges are both soft close and quick release. |
| Q: How deep is the unit with door open? | A: Approx 680mm at 90°. |
| Q: Can the doors be adjusted? | A: The door can be adjusted as detailed in the supplied instructions |
| Q: Is the shelf removable? | A: Yes, the shelf can be removed. |
| Q: What is the shelf capacity? | A: Shelf max depth: 150mm. |
| Q: How many shelves are there? | A: There is one shelf and a base within the unit. |
| Q: Is the shelf adjustable? | A: No, the shelf is at a fixed position. |
| Q: What is the interior finish of the unit? | A: The unit interior is the same finish as the exterior. |

NOTE: Colours unique to Roper Rhodes - No RAL Code available