

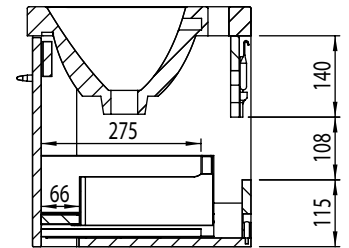
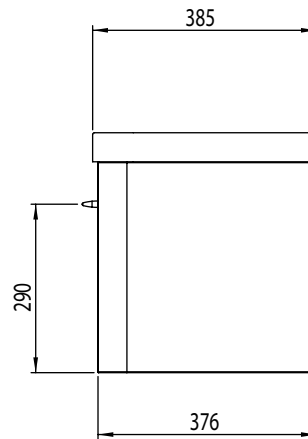
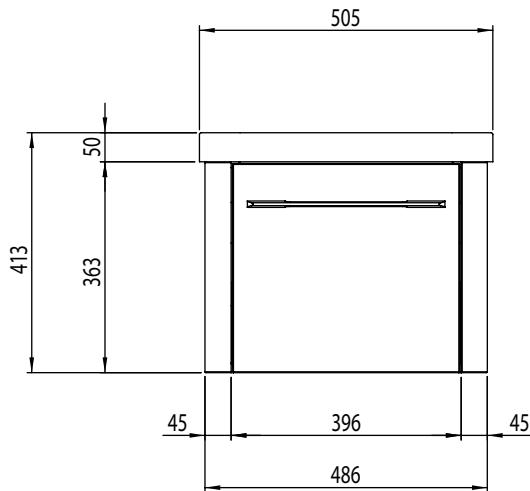
Technical Data Sheet

CONTOUR 500mm Wall Mounted Drawer Unit

What's in the box: 1x CN5412.X + Fixings + Handle



*Reference basin TDS for further info



Diagrams not to scale
All dimensions in mm
Tolerance of +/-5mm

Materials

Carcass: 16mm Painted MDF / Laminated Painted MDF - for curved sides.
Fascia Components: 16mm Painted MDF.

**Dimensions are subject to change, customers are advised to measure actual product before commencing installation.
***Fixing point dimensions are for guidance only/the positions of wall fixing must be checked when product is received.

Extra Dimensions

Internal Drawer Depth - Front to Back:	277mm
Internal Drawer Height:	102mm
Internal Drawer Width:	362mm
Drawer Cut Out (W&D):	121mm x 210mm

FAQs

Q: How big is the plumbing void?	A: No plumbing void, open back to receive pipework straight from wall.
Q: How far apart are the hole centres for the handles?	A: 320mm.
Q: Are the handles fitted?	A: No, handles need fitting.
Q: Are the runners soft close?	A: The runners are both soft close and quick release.
Q: How deep is the unit when the drawers are fully open?	A: Approx: 650mm.
Q: Can the drawers be adjusted?	A: The drawers can be adjusted as detailed in the supplied instructions.
Q: What is the interior finish of the unit?	A: The interior drawer is dark grey.

NOTE: Colours unique to R2 - No RAL Code available