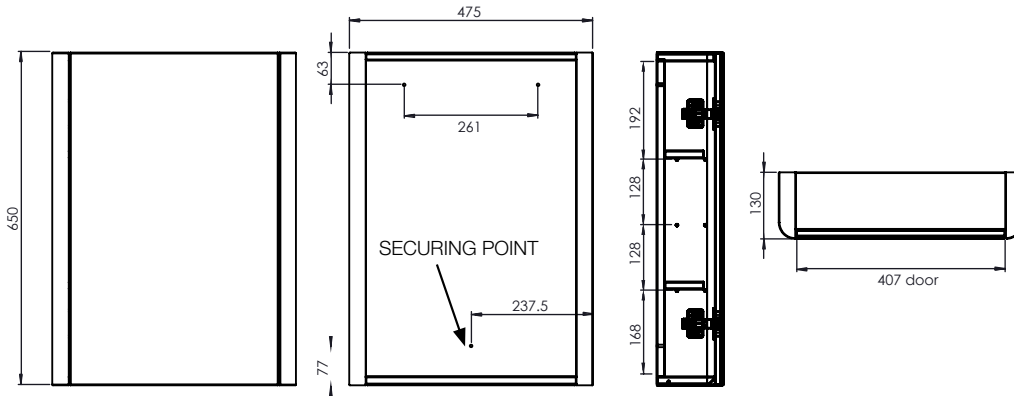


# Technical Data Sheet

## 475 Single Door Cabinet - CNCAB475

Whats in the box: 1x Cabinet + Fixings+ Wood Shelves

# R2



### Materials

Carcass: Painted MDF

Door: MDF

Mirror: Bevelled glass mirror

\*Dimensions are subject to change, customers are advised to measure actual product before commencing installation.

\*\*Fixing point dimensions are for guidance only/the positions of wall fixing must be checked when product is received.

Diagrams not to scale. All dimensions in mm (tolerance of +/-5mm)

### FAQ's

- |   |                                       |
|---|---------------------------------------|
| Q: Internal dimensions (Width x Depth).             | A: 410 x 93mm                         |
| Q: Shelf dimensions ( Length x Width x Depth).      | A: 410 x 93 x 15mm                    |
| Q: Max shelf spacing.                               | A: 241mm                              |
| Q: Distance between hinge centres.                  | A: 414mm                              |
| Q: Door dimensions (Height x Width x Depth).        | A: 650 x 406 x 17mm                   |
| Q: Door opening angle.                              | A: 90°                                |
| Q: Depth with door fully open.                      | A: 516mm                              |
| Q: Hanging brackets centres.                        | A: 256mm                              |
| Q: What is the thickness of the cabinet door glass? | A: 5mm PVC back filmed (On 12mm MDF). |

Cabinets with painted finish do not have a RAL code as the colour is unique to R2.