

TECHNICAL DATA SHEET

Coast Soft Close Toilet Seat - COSCTS

R2

NO.	Description	Product Code	Fixings included	Gross Weight	Net Weight
1	Soft Close Lift Off Toilet Seat	COSCTS	YES	2KG	N/A

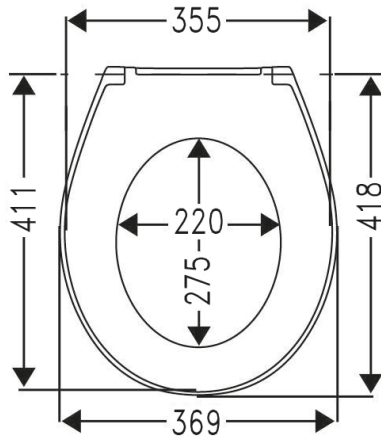


Spares Codes:

- Coast Hinge Fixing Kit - SP16318
- Coast Wrap Over Lid Buffer - SP19248
- Coast Wrap Over Seat Ring Buffer - SP17852
- Coast Hinge Barrel Clip - SP19258
- Coast Hinge Damper Cap - SP19723

DIMENSIONS - COSCTS

DIAGRAMS NOT TO SCALE | ALL DIMENSIONS IN MM | TOLERANCE OF ± 5MM
ALL PRODUCTS CONFORM TO THE BRITISH FIXING STANDARDS



*Dimensions are subject to change, customers are advised to measure actual product before commencing installation.
**Fixing point dimensions are for guidance only/the positions of wall fixing must be checked when product is received.

FAQs

Q - What's the maximum test load of the seat?
A - 150kg

Q - What are the fixings made from?
A - Stainless Steel Cover Plates/Screws, Nylon Anchor Plates, Rubber Washers, Rubber Fixing Plugs.

Q - What finish are the hinge covers supplied with the seat?
A - Chrome

Q - Can the seat hinges be upgraded to a different finish?
A - Yes using DC4011 (black) or DC4012 (brushed brass)

Q - What colour finish is the seat?
A - Alpine White

Key Dimensions Descriptions	Key Dimensions (mm)
Seat/Lid Front to Back	418mm
Seat/Lid Left to Right	369mm
Ring Hole Front to Back	275mm
Ring Hole Left to Right	213mm
Seat Overall Thickness	49mm
Width of Back of Seat	363mm
Min/Max Adjustment for Fixings	110/230, 382/442mm