

Technical Data Sheet

ROPER RHODES®

Craft Deck Mounted Bath Filler - T333202

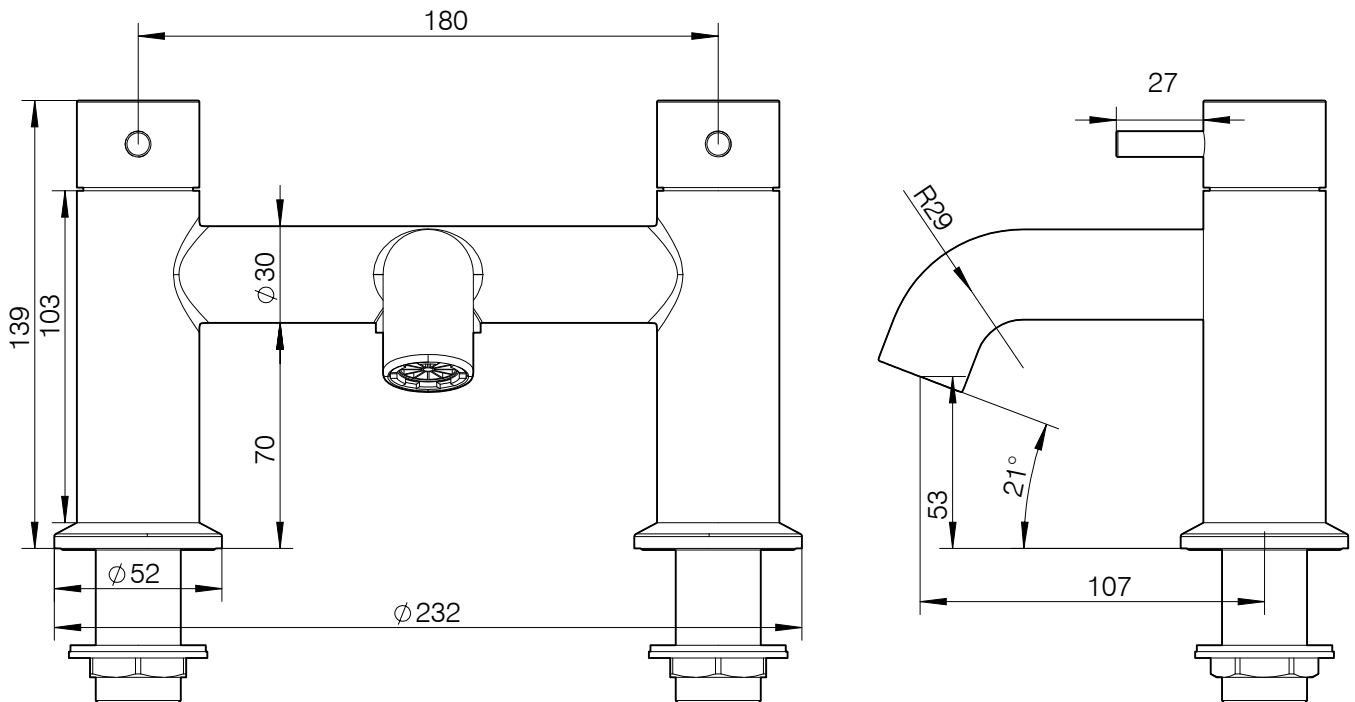
No.	Description	Code	Fixings Included
1	Craft Deck Mounted Bath Filler	T333202	YES



Min Pressure:	0.2bar
0.2bar	7.6 litres / min
0.3bar	9.6 litres / min
0.4bar	11.5 litres / min
0.5bar	13 litres / min
1bar	18 litres / min
2bar	26 litres / min

Dimensions:

Diagrams not to scale. All dimensions in mm (tolerance of +/-5mm)



*Dimensions are subject to change, customers are advised to measure actual product before commencing installation.

FAQs

What is the size of the bath filler threaded connection? The threaded connectors have a standard 3/4" BSP fixing.

Does the product come fitted with an aerator? Yes, the aerator comes pre-installed but can be replaced.