

Technical Data Sheet

Shower Systems

TAVISTOCK

No.	Description	Code	Fixings Included
1	Cheltenham 2F Exposed Shower System	SCM1713	YES

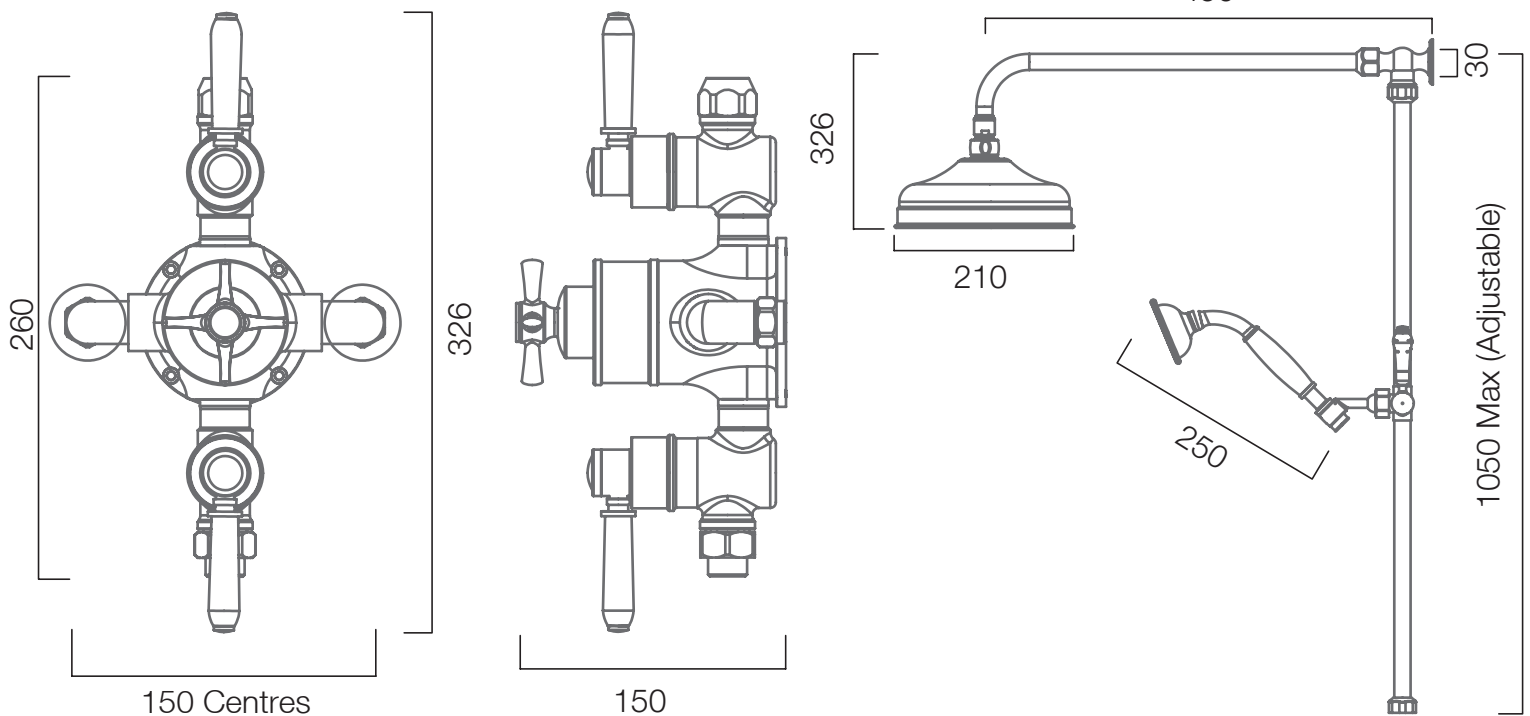


FLOW RATE DATA IS TESTED UNDER LABORATORY CONDITIONS: ACTUAL FLOW RATE MAY VARY DEPENDING ON DOMESTIC SUPPLY AND ACCESSORIES

Inlet Pressure	Flow Rate (l/min)
1bar	10.29
2bar	13.98
3bar	17.34
4bar	19.98
5bar	22.56

Dimensions - Overview

Diagrams not to scale. All dimensions in mm (tolerance of +/-5mm)



FAQs

How tall is the riser rail? 1000mm

How long is the shower hose? 1.5m

What is the recommended minimum pressure for the valve? 1.0bar

What is the valve connection size? 1/2" suitable for 15mm pipework

Components

Traditional 2 Function Exposed Shower System - SV2FTRADEXP:
 Head and Exposed Dual Function Valve - Brass;
 Shower Arm, Wall Elbow, Riser Rail and Handset - Stainless Steel
 Exposed Shower Valve Handle - SVHANCHELT