

# TECHNICAL DATA SHEET

Cover Close Coupled Fully Enclosed WC

**ROPER RHODES®**

| NO. | Description            | Product Code | Fixings included | Gross Weight |
|-----|------------------------|--------------|------------------|--------------|
| 1   | Close Coupled Cistern  | CCCTNK-R     | YES              | 12.5KG       |
| 2   | Soft Close Toilet Seat | CSCTS        | YES              | 3KG          |
| 3   | Fully Enclosed WC      | CCCPAN-R     | YES              | 39.8KG       |

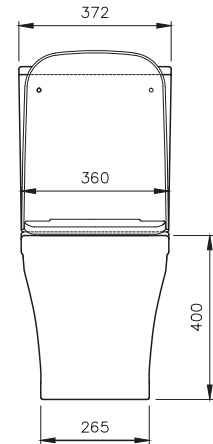
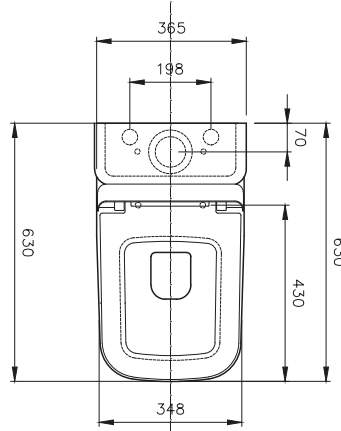
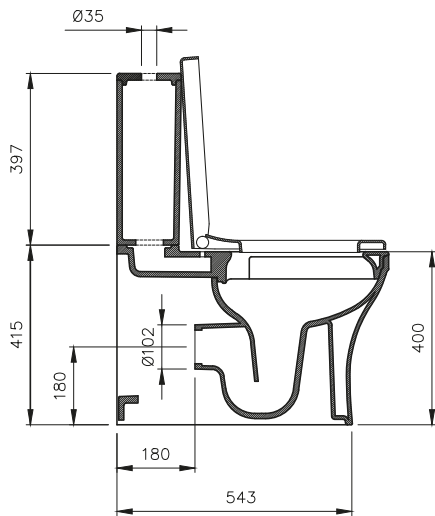


## Spares Codes:

- Pan Floor Fixing Kit - SP16858
- Cover Inlet Valve - SP16860
- Cover Donut Washer/Gasket - SP18962
- Cover Flush Valve - SP18105
- Cover Flush Button (With Legs) - SP18106

## DIMENSIONS

DIAGRAMS NOT TO SCALE | ALL DIMENSIONS IN MM TOLERANCE OF ± 5MM  
ALL PRODUCTS CONFORM TO BRITISH STANDARDS



\*Dimensions are subject to change, customers are advised to measure actual product before commencing installation.  
\*\*Fixing point dimensions are for guidance only. The positions of fixings must be checked when product is received.

## FAQs

Q - Where is the inlet valve?  
A - Bottom inlet, back right of the pan.

Q - What is the flush volume?  
A - 6/4L

Q - Can this pan be used with a side connection outlet pipe?  
A - No

Q - Are there any other compatible seats?  
A - No

| Key Dimensions Descriptions         | Key Dimensions (mm) |
|-------------------------------------|---------------------|
| Front to Back Footprint             | 543mm               |
| Left to Right Footprint             | 265mm               |
| Bowl Front to Back                  | 290mm               |
| Bowl Left to Right                  | 240mm               |
| Pan Height (+Cistern)               | 410mm (812mm)       |
| Pan Overall Front to Back           | 630mm               |
| Centre Waste Outlet to Floor        | 180mm               |
| Width of Void                       | 230mm               |
| Is there a Ceramic Brace Bar        | No                  |
| Distance from Spigot to back of Pan | 180mm               |