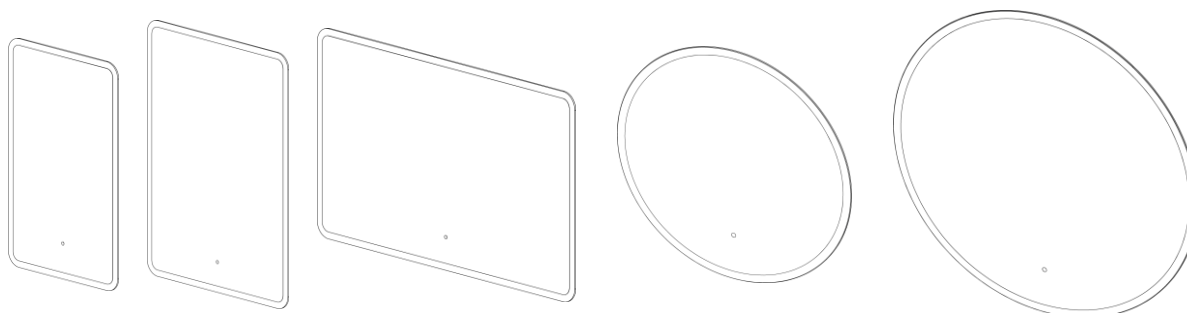


# Technical Data Sheet

## COVERT



### Box Contents:

Covert Mirror | 2x wall plugs | 2x screws | Instructions booklet

### Materials

*Frame Material:* Extruded Plastic

*Glass:* 5mm PVC Backed

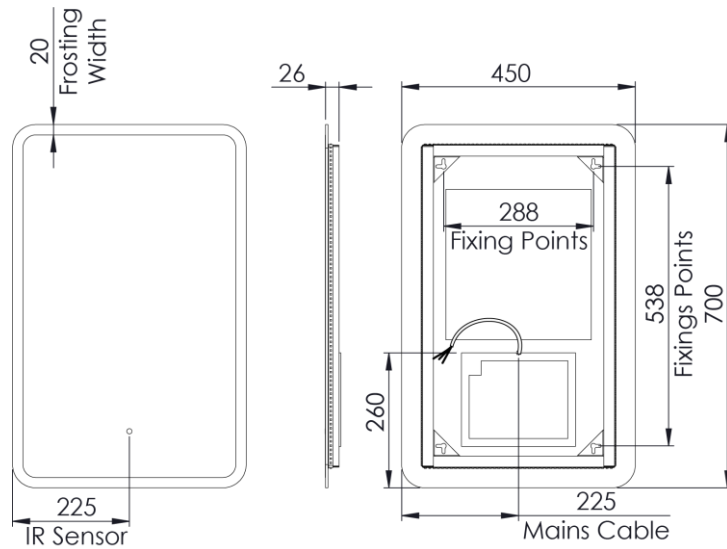
FAQ's:	Units	CTM045	CTM060	CTM100	CTM60C	CTM80C
Can the mirror be hung landscape?	-	Yes			No	
What is the thickness of the mirror glass?	mm	5				
Is the mirror IP44 rated?	-	Yes – Suitable for use in bathroom zone 2				
What size fuse should I use?	-	Seek the advice of an electrician				
What is the total power consumption?	W	29	33	42	23.7	36.6
Does the mirror have an energy rating?	-	Yes – It has an energy rating of: F				
What is the colour of the light and the Kelvin rating?	K	6500				
What is the Lumen of the lights?*	Lms	2000	2400	2800	2376	3276
What is the wattage of the lights?	W	15	18	21	12.87	17.745
Where is the IR sensor/rocker switch located?	-	Front Centre Bottom				
Can the LED lighting be replaced?	-	No**				
Can the IR sensor be replaced?	-	Yes				
What is the output of the demister pad?	W	14	14	20	10.8	18.9
What are the dimensions of the demister pad? (L x W)	mm	270 x 290	270 x 290	250 x 450	200 x 300	300 X 350
How do I turn on the demister pad?	-	The demister pad will turn on when the LEDs are turned on.				
Are illuminated mirrors supplied with mains cable?	-	All illuminated mirrors are supplied with a removeable 500mm mains cable. There is ample storage for excess cable in the back of the unit.				

### 5 Year Guarantee

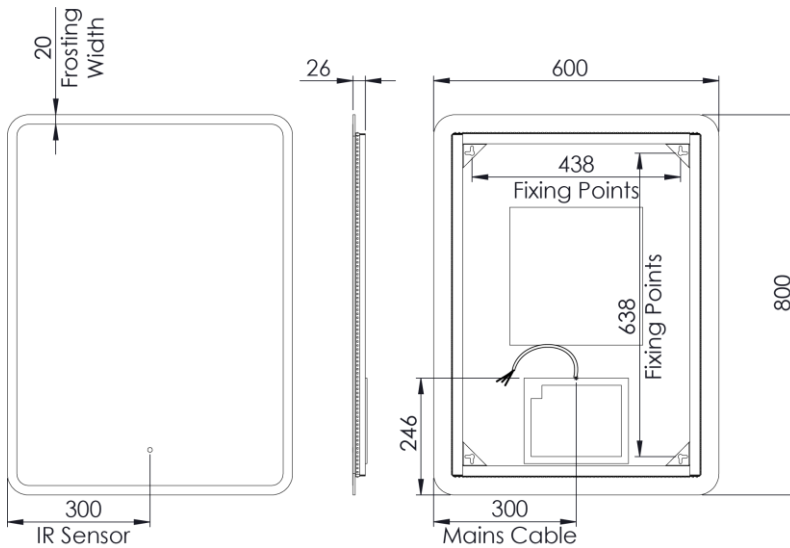
We have complete confidence in this R2 bathroom Mirror and as such it is offered with a 5-year guarantee against defects in manufacture. The electronics are covered by our 2-year guarantee. In the unlikely event that this product should fail during the guarantee period we will either replace the faulty part or the complete unit as appropriate.

Dimensions are subject to change; customers are advised to measure actual product before commencing installation.  
 Fixing point dimensions are for guidance only/the positions of wall fixing must be checked when product is received.  
 \*The Lumen represents the output of the LED. This may vary depending on the diffuser material i.e., glass or acrylic.  
 \*\*The LEDs are not replaceable to maintain the integrity of the product's resistance to moisture ingress

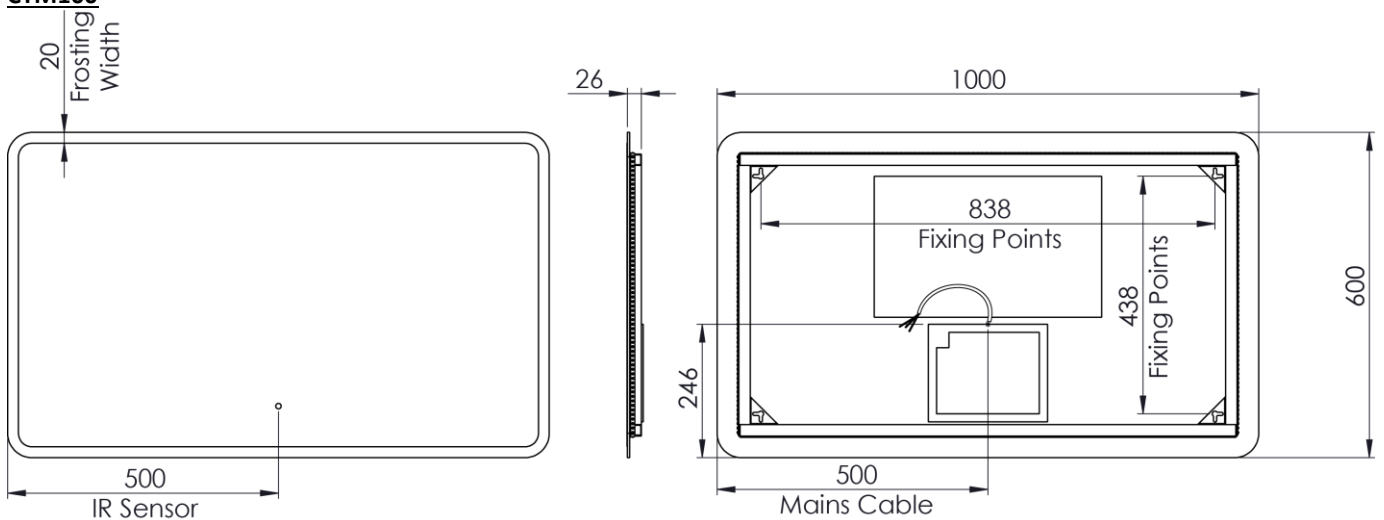
**CTM045**



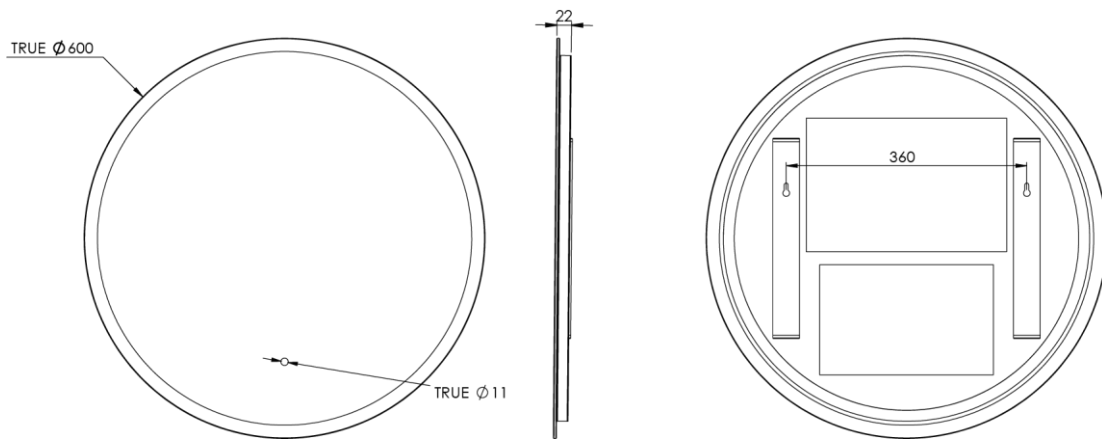
**CTM060**



**CTM100**



**CTM60C**



**CTM80C**

