

Technical Data Sheet

Crew Basin Mixer - TR1025 (Chrome), TR1136 (Brushed Brass)

ROPER RHODES®
TRADE SOLUTIONS

No.	Description	Code	Fixings Included
1	Crew Basin Mixer	TR1025, TR1136	YES

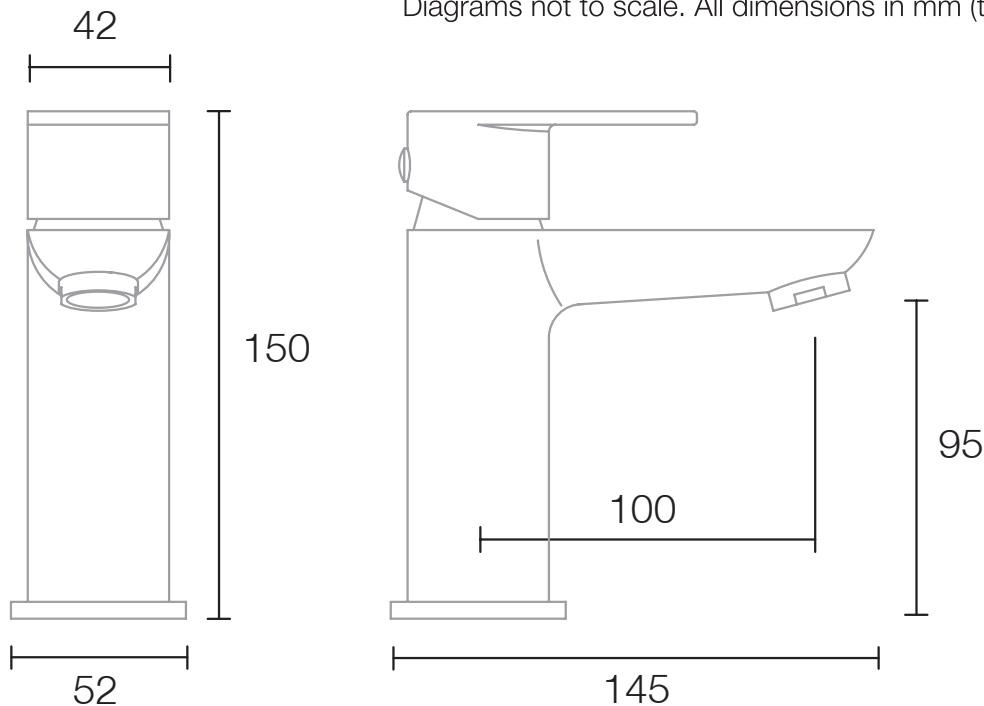


FLOW RATE DATA IS TESTED UNDER LABORATORY CONDITIONS: ACTUAL FLOW RATE MAY VARY DEPENDING ON DOMESTIC SUPPLY AND ACCESSORIES

Pressure:	Flow Rate:
0.2bar	5.3 litres / min
0.3bar	6.4 litres / min
0.4bar	7.3 litres / min
0.5bar	8.2 litres / min
1bar	11.4 litres / min
2bar	16.2 litres / min
3bar	19.9 litres / min

Dimensions

Diagrams not to scale. All dimensions in mm (tolerance of +/-5mm)



*Dimensions are subject to change, customers are advised to measure actual product before commencing installation.

FAQs

What is the size of the tap tail connection? The tap tails have a standard 1/2" BSP fixing.

What bore is the tap tail? The tails have a 10mm internal bore.

What length are the tap tails? The tails are 300mm in length.

Does the tap come fitted with an aerator? Yes, the aerator comes pre-installed but can be replaced.

What is the recommended minimum pressure? 0.2 Bar

Technical Data Sheet

Crew Mini Basin Mixer - TR1026 (Chrome), TR1137 (Brushed Brass)

ROPER RHODES[®]
TRADE SOLUTIONS

No.	Description	Code	Fixings Included
1	Crew Mini Basin Mixer	TR1026, TR1137	YES

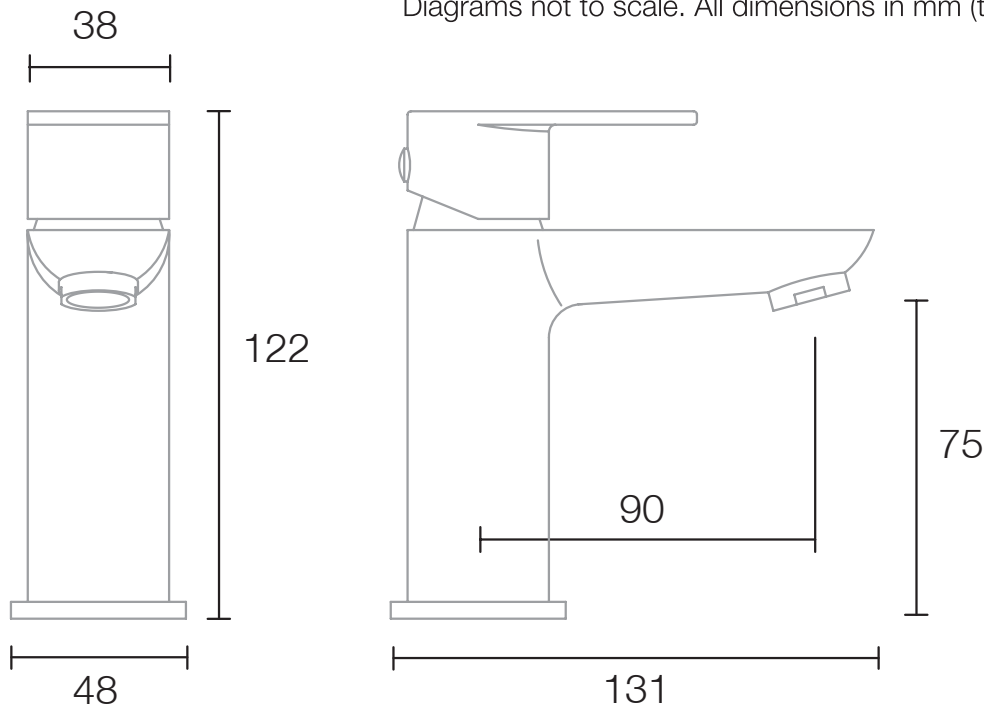


FLOW RATE DATA IS TESTED UNDER LABORATORY CONDITIONS: ACTUAL FLOW RATE MAY VARY DEPENDING ON DOMESTIC SUPPLY AND ACCESSORIES

Pressure:	Flow Rate:
0.2bar	4.6 litres / min
0.3bar	5.5 litres / min
0.4bar	6.3 litres / min
0.5bar	7.2 litres / min
1bar	9.6 litres / min
2bar	13.7 litres / min
3bar	16.7 litres / min

Dimensions

Diagrams not to scale. All dimensions in mm (tolerance of +/-5mm)



*Dimensions are subject to change, customers are advised to measure actual product before commencing installation.

FAQs

What is the size of the tap tail connection? The tap tails have a standard 1/2" BSP fixing.

What bore is the tap tail? The tails have a 10mm internal bore.

What length are the tap tails? The tails are 300mm in length.

Does the tap come fitted with an aerator? Yes, the aerator comes pre-installed but can be replaced.

What is the recommended minimum pressure? 0.3 Bar

Technical Data Sheet

Crew Tall Basin Mixer - TR1084 (Chrome), TR1140 (Brushed Brass)

ROPER RHODES[®]
TRADE SOLUTIONS

No.	Description	Code	Fixings Included
1	Crew Tall Basin Mixer	TR1084, TR1140	YES

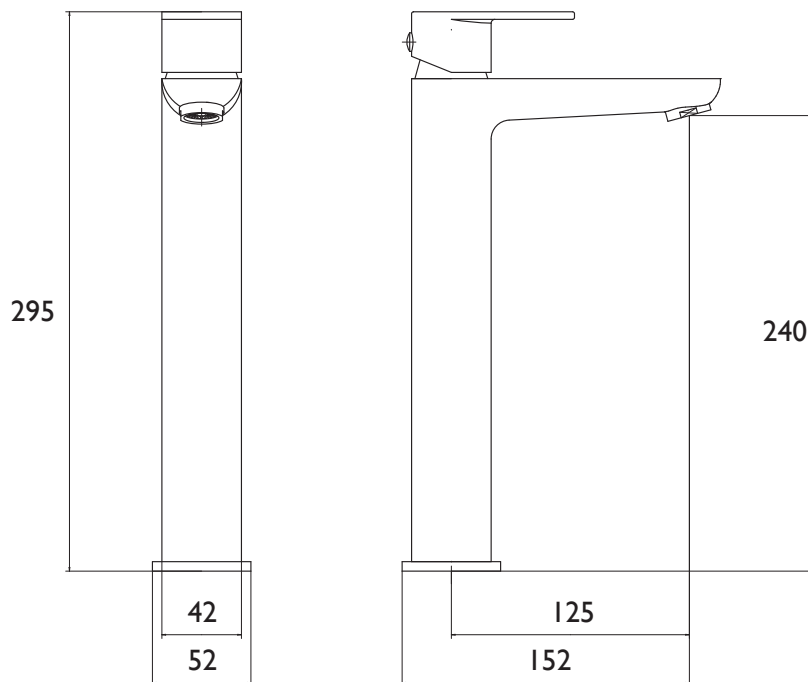


FLOW RATE DATA IS TESTED UNDER LABORATORY CONDITIONS: ACTUAL FLOW RATE MAY VARY DEPENDING ON DOMESTIC SUPPLY AND ACCESSORIES

Pressure:	Flow Rate:
0.2bar	3.8 litres / min
0.3bar	5 litres / min
0.4bar	6.2 litres / min
0.5bar	7.6 litres / min
1bar	10.8 litres / min
2bar	16 litres / min
3bar	19.6 litres / min

Dimensions

Diagrams not to scale. All dimensions in mm (tolerance of +/-5mm)



*Dimensions are subject to change, customers are advised to measure actual product before commencing installation.

FAQs

What is the size of the tap tail connection? The tap tails have a standard 1/2" BSP fixing.

What bore is the tap tail? The tails have a 10mm internal bore.

What length are the tap tails? The tails are 300mm in length.

Does the tap come fitted with an aerator? Yes, the aerator comes pre-installed but can be replaced.

What is the recommended minimum pressure? 0.3 Bar

Technical Data Sheet

Crew Bath Filler - TR1027 (Chrome), TR1138 (Brushed Brass)

ROPER RHODES®
TRADE SOLUTIONS

No.	Description	Code	Fixings Included
1	Crew Bath Filler	TR1027, TR1138	YES

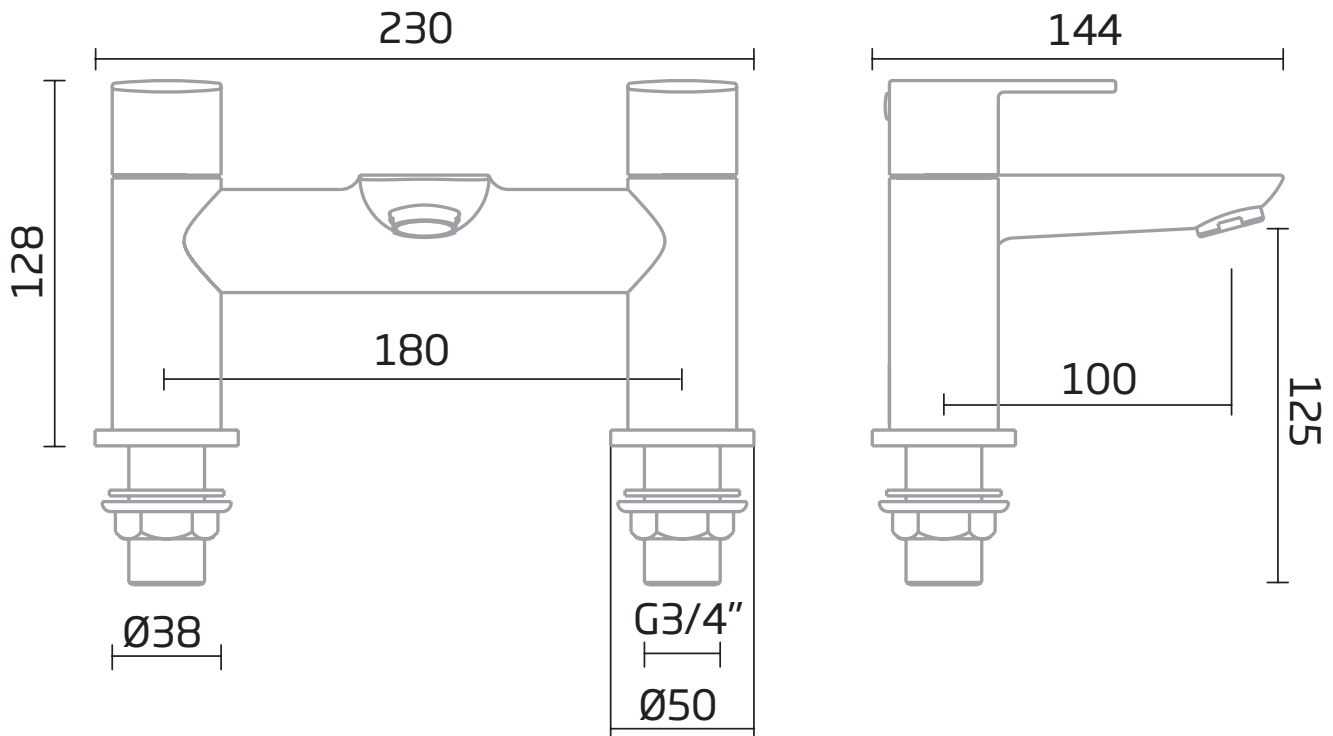


FLOW RATE DATA IS TESTED UNDER LABORATORY CONDITIONS: ACTUAL FLOW RATE MAY VARY DEPENDING ON DOMESTIC SUPPLY AND ACCESSORIES

Pressure:	Flow Rate:
0.2bar	14 litres / min
0.3bar	16.8 litres / min
0.4bar	19.2 litres / min
0.5bar	21.4 litres / min
1bar	29.8 litres / min
2bar	42 litres / min
3bar	51.8 litres / min

Dimensions

Diagrams not to scale. All dimensions in mm (tolerance of +/-5mm)



*Dimensions are subject to change, customers are advised to measure actual product before commencing installation.

FAQs

Does the tap come fitted with an aerator? Yes, the aerator comes pre-installed but can be replaced.

What size plumbing fittings are needed for the threaded legs? This product will work with standard 3/4" plumbing fittings.

What is the recommended minimum pressure? 0.3 Bar

Technical Data Sheet

Crew Bath Shower Mixer - TR1028 (Chrome), TR1139 (Brushed Brass)

ROPER RHODES[®]
TRADE SOLUTIONS

No.	Description	Code	Fixings Included
1	Crew Bath Shower Mixer	TR1028, TR1139	YES

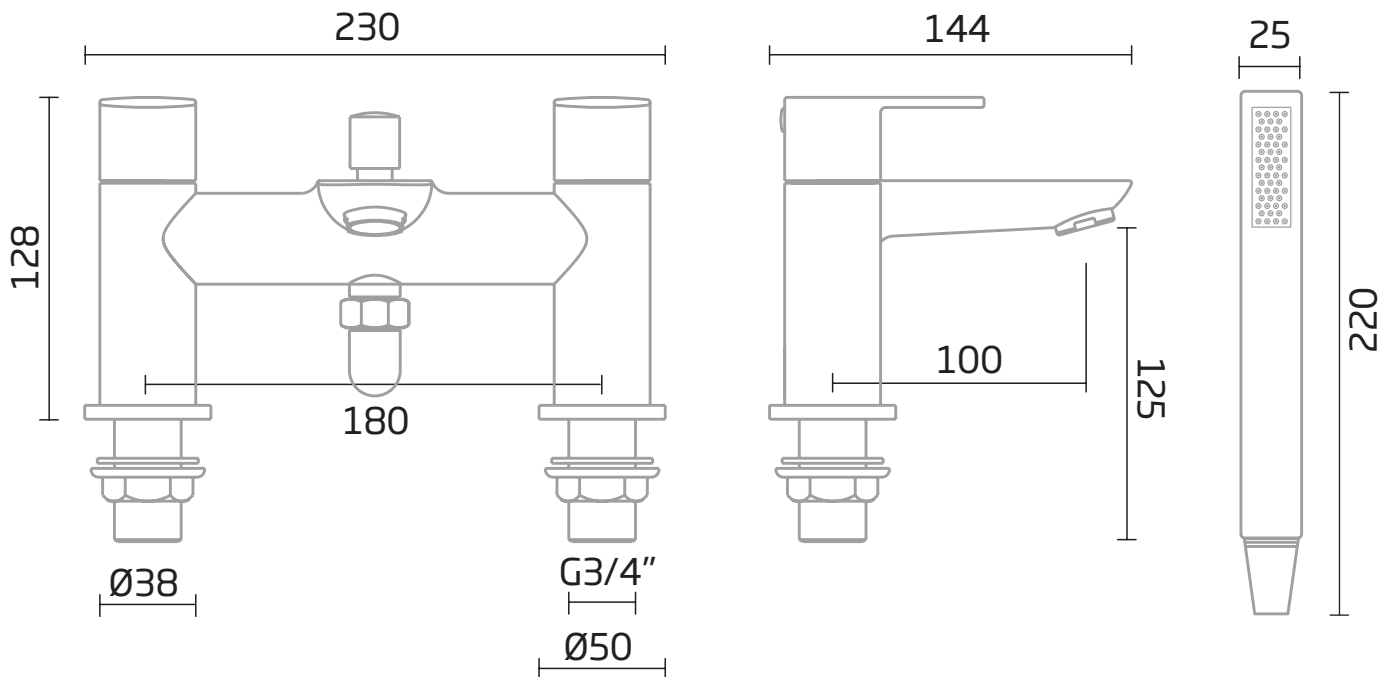


FLOW RATE DATA IS TESTED UNDER LABORATORY CONDITIONS: ACTUAL FLOW RATE MAY VARY DEPENDING ON DOMESTIC SUPPLY AND ACCESSORIES

Pressure:	Flow Rate:
0.2bar	11.4 litres / min
0.3bar	13.8 litres / min
0.4bar	15.9 litres / min
0.5bar	17.7 litres / min
1bar	24.6 litres / min
2bar	34.5 litres / min
3bar	42.2 litres / min

Dimensions

Diagrams not to scale. All dimensions in mm (tolerance of +/-5mm)



*Dimensions are subject to change, customers are advised to measure actual product before commencing installation.

FAQs

Does the tap come fitted with an aerator?

Yes, the aerator comes pre-installed but can be replaced.

What size plumbing fittings are needed for the threaded legs?

This product will work with standard 3/4" plumbing fittings.

What size are the connections for the shower hose?

The threaded connections on the shower hose are a standard 1/2" BSP connection.

What is the recommended minimum pressure? 0.3 Bar