

Technical Data Sheet

Crew Basin Mixer - TR1025 (Chrome), TR1136 (Brushed Brass)



No.	Description	Code	Fixings Included
1	Crew Basin Mixer	TR1025, TR1136	YES

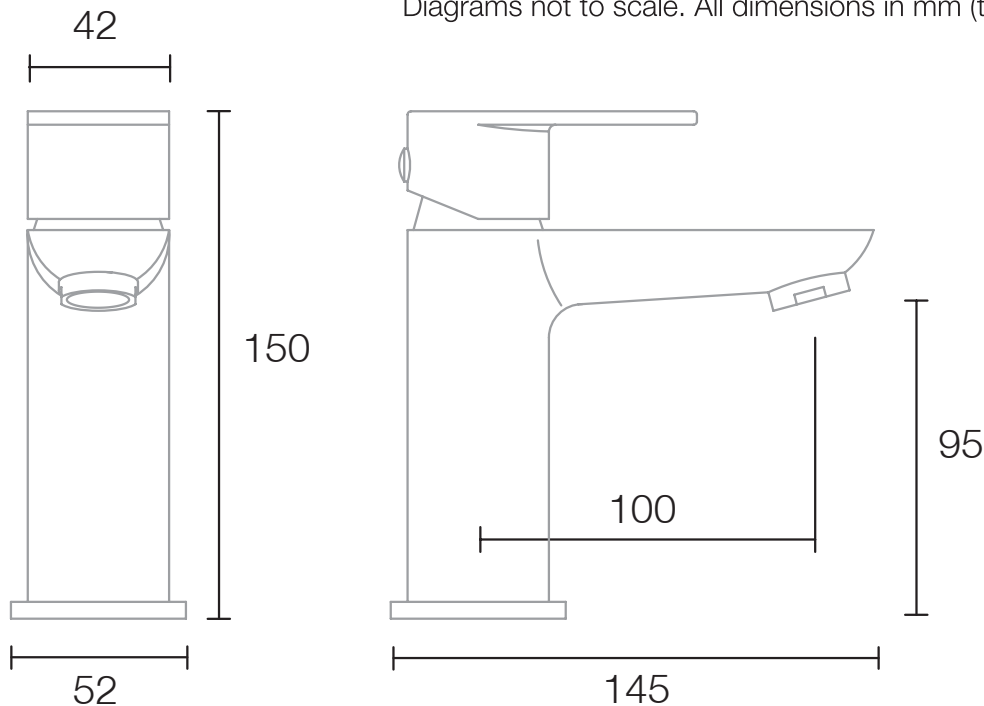


FLOW RATE DATA IS TESTED UNDER LABORATORY CONDITIONS: ACTUAL FLOW RATE MAY VARY DEPENDING ON DOMESTIC SUPPLY AND ACCESSORIES

Pressure:	Flow Rate:
0.2bar	5.3 litres / min
0.3bar	6.4 litres / min
0.4bar	7.3 litres / min
0.5bar	8.2 litres / min
1bar	11.4 litres / min
2bar	16.2 litres / min
3bar	19.9 litres / min

Dimensions

Diagrams not to scale. All dimensions in mm (tolerance of +/-5mm)



*Dimensions are subject to change, customers are advised to measure actual product before commencing installation.

FAQs

What is the size of the tap tail connection? The tap tails have a standard 1/2" BSP fixing.

What bore is the tap tail? The tails have a 10mm internal bore.

What length are the tap tails? The tails are 300mm in length.

Does the tap come fitted with an aerator? Yes, the aerator comes pre-installed but can be replaced.

What is the recommended minimum pressure? 0.2 Bar