

Technical Data Sheet

Crew Mini Basin Mixer - TR1026 (Chrome), TR1137 (Brushed Brass)



No.	Description	Code	Fixings Included
1	Crew Mini Basin Mixer	TR1026, TR1137	YES

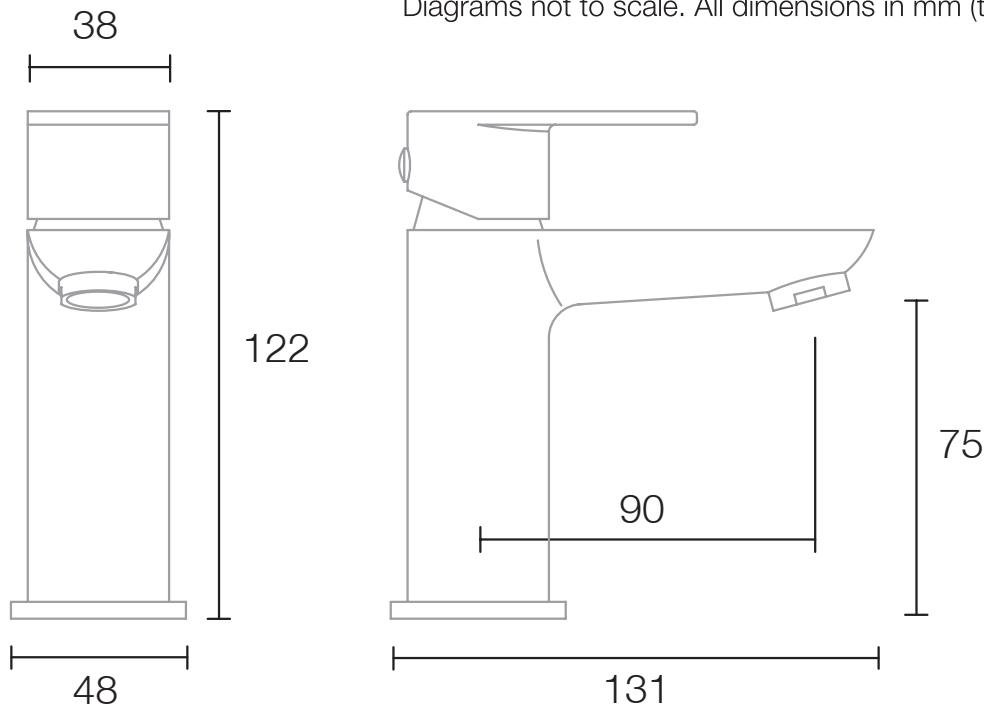


FLOW RATE DATA IS TESTED UNDER LABORATORY CONDITIONS: ACTUAL FLOW RATE MAY VARY DEPENDING ON DOMESTIC SUPPLY AND ACCESSORIES

Pressure:	Flow Rate:
0.2bar	4.6 litres / min
0.3bar	5.5 litres / min
0.4bar	6.3 litres / min
0.5bar	7.2 litres / min
1bar	9.6 litres / min
2bar	13.7 litres / min
3bar	16.7 litres / min

Dimensions

Diagrams not to scale. All dimensions in mm (tolerance of +/-5mm)



*Dimensions are subject to change, customers are advised to measure actual product before commencing installation.

FAQs

- What is the size of the tap tail connection?** The tap tails have a standard 1/2" BSP fixing.
- What bore is the tap tail?** The tails have a 10mm internal bore.
- What length are the tap tails?** The tails are 300mm in length.
- Does the tap come fitted with an aerator?** Yes, the aerator comes pre-installed but can be replaced.
- What is the recommended minimum pressure?** 0.3 Bar