

# Technical Data Sheet

Crew Bath Filler - TR1027 (Chrome), TR1138 (Brushed Brass)



No.	Description	Code	Fixings Included
1	Crew Bath Filler	TR1027, TR1138	YES

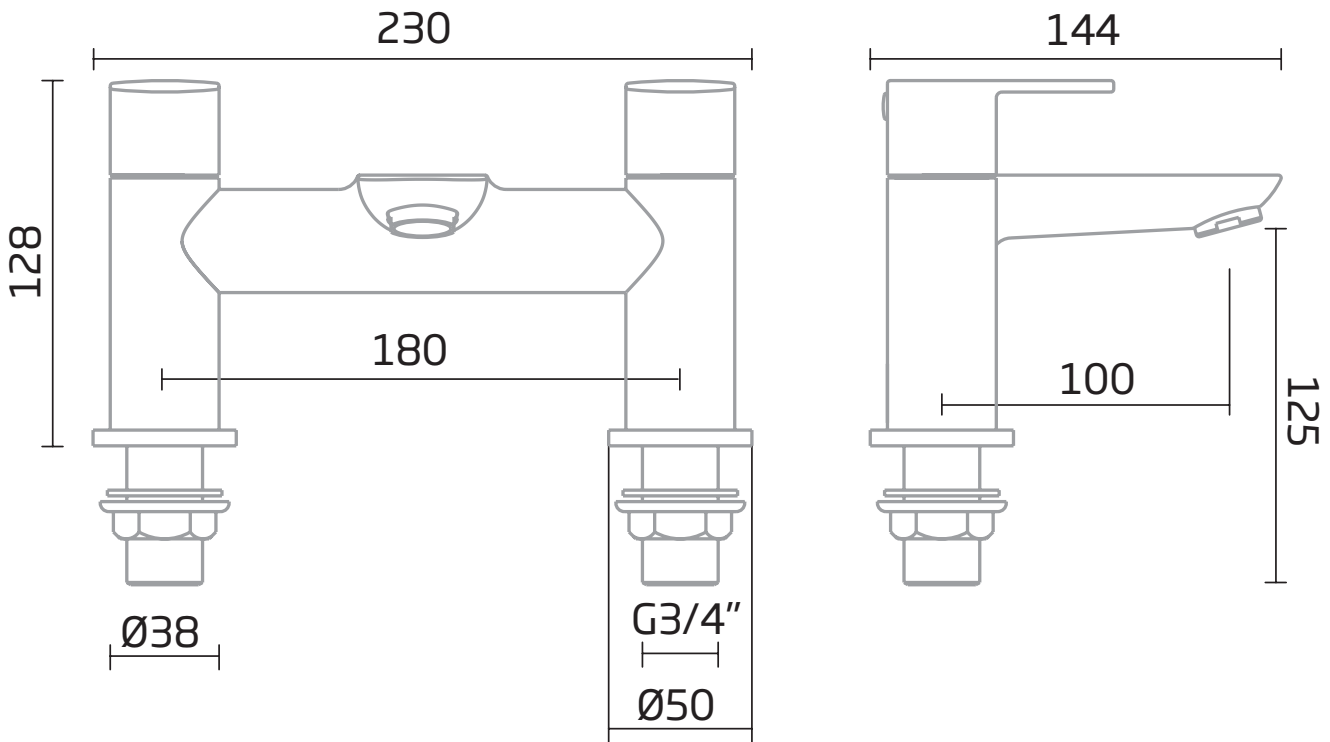
**FLOW RATE DATA IS TESTED UNDER LABORATORY CONDITIONS: ACTUAL FLOW RATE MAY VARY DEPENDING ON DOMESTIC SUPPLY AND ACCESSORIES**



Pressure:	Flow Rate:
0.2bar	14 litres / min
0.3bar	16.8 litres / min
0.4bar	19.2 litres / min
0.5bar	21.4 litres / min
1bar	29.8 litres / min
2bar	42 litres / min
3bar	51.8 litres / min

## Dimensions

Diagrams not to scale. All dimensions in mm (tolerance of +/-5mm)



\*Dimensions are subject to change, customers are advised to measure actual product before commencing installation.

## FAQs

**Does the tap come fitted with an aerator?** Yes, the aerator comes pre-installed but can be replaced.

**What size plumbing fittings are needed for the threaded legs?** This product will work with standard 3/4" plumbing fittings.

**What is the recommended minimum pressure?** 0.3 Bar