

Technical Data Sheet

Crew Bath Shower Mixer - TR1028 (Chrome), TR1139 (Brushed Brass)



No.	Description	Code	Fixings Included
1	Crew Bath Shower Mixer	TR1028, TR1139	YES

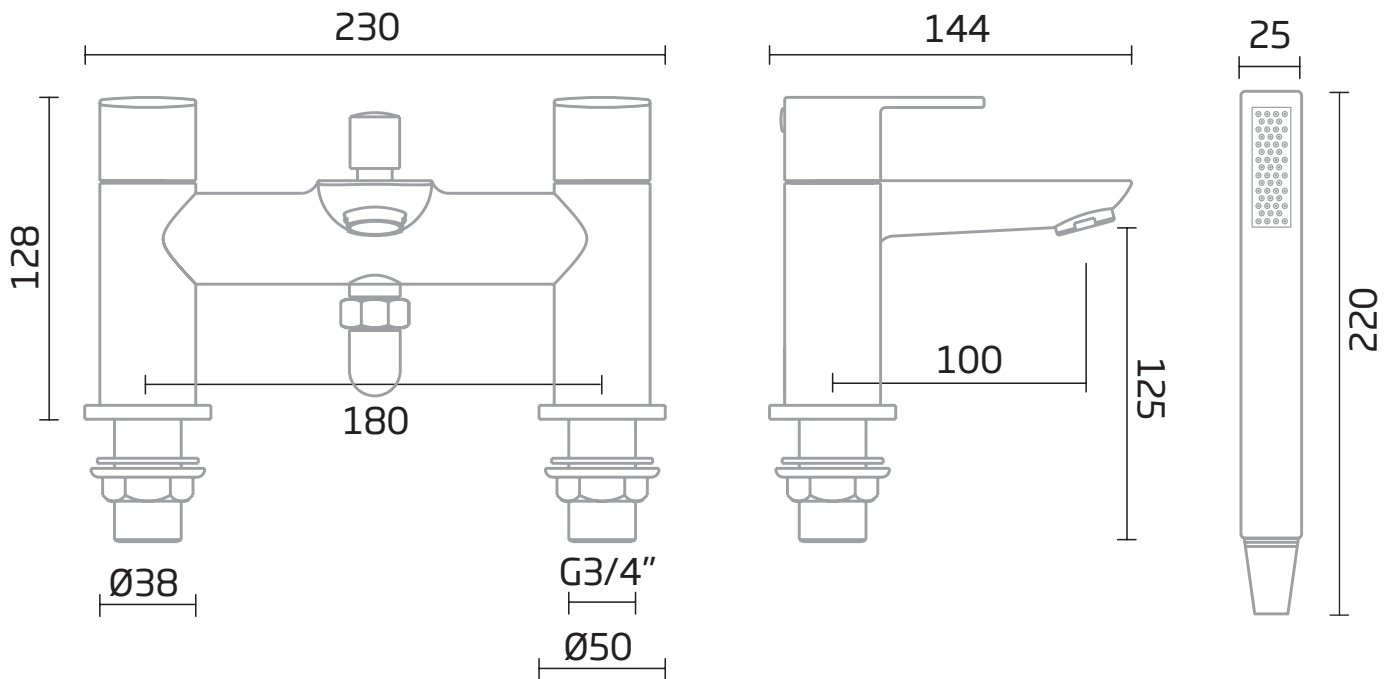


FLOW RATE DATA IS TESTED UNDER LABORATORY CONDITIONS: ACTUAL FLOW RATE MAY VARY DEPENDING ON DOMESTIC SUPPLY AND ACCESSORIES

Pressure:	Flow Rate:
0.2bar	11.4 litres / min
0.3bar	13.8 litres / min
0.4bar	15.9 litres / min
0.5bar	17.7 litres / min
1bar	24.6 litres / min
2bar	34.5 litres / min
3bar	42.2 litres / min

Dimensions

Diagrams not to scale. All dimensions in mm (tolerance of +/-5mm)



*Dimensions are subject to change, customers are advised to measure actual product before commencing installation.

FAQs

Does the tap come fitted with an aerator?

Yes, the aerator comes pre-installed but can be replaced.

What size plumbing fittings are needed for the threaded legs?

This product will work with standard 3/4" plumbing fittings.

What size are the connections for the shower hose?

The threaded connections on the shower hose are a standard 1/2" BSP connection.

What is the recommended minimum pressure? 0.3 Bar