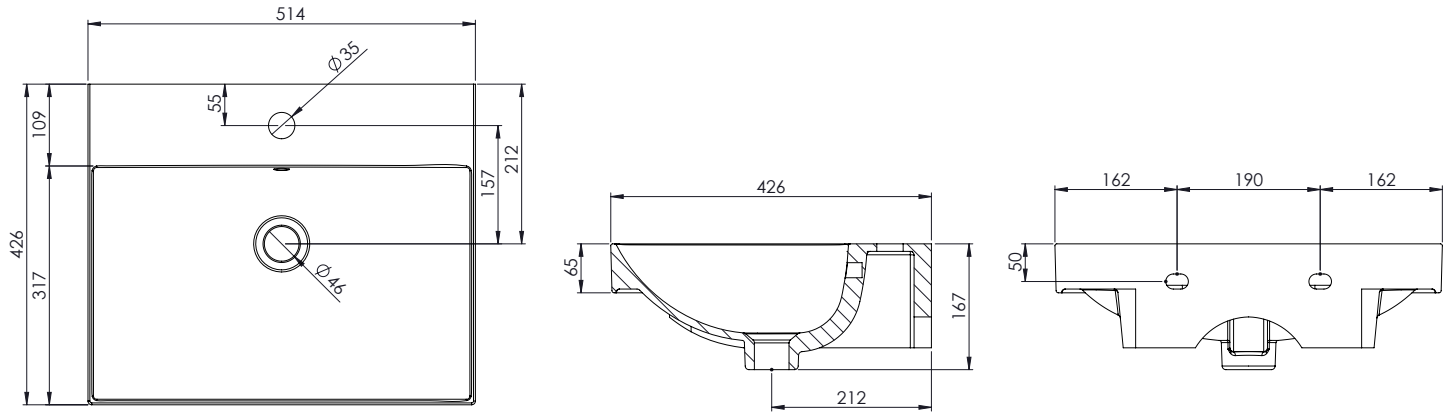


Technical Data Sheet

PLATFORM 500mm Ceramic Basin

Whats in the box: 1x DC12011



Diagrams not to scale
All dimensions in mm
Tolerance of +/-5mm

Materials

Basin: Ceramic

*Dimensions are subject to change, customers are advised to measure actual product before commencing installation.

**Fixing point dimensions are for guidance only/the positions of wall fixing must be checked when product is received.

FAQs

Q: What is the maximum water depth of the basin?

A: 83mm up to the overflow.

Q: What is the internal depth?

A: The internal depth is 118mm.

Q: What is the depth of the tapledge?

A: The Tapledge is 109mm deep.

Q: What is the distance from the Taphole centre to Basin Waste?

A: 158mm

Q: Can the basin be wall mounted?

A: Yes. Platform is best paired with our Adjustable Bottle Trap (TRAP6).

Q: Are fixings supplied?

A: No. We recommend using fixings suitable for the wall type that the basin will be mounted to.

Q: What are the positions of the mounting points?

A: The centres of the mounting slots in the basin are 190mm apart.

Q: Does the product conform to British Standards?

A: Yes. The product conforms to BS EN 31.

Q: Does the basin fit other furniture?

A: No.