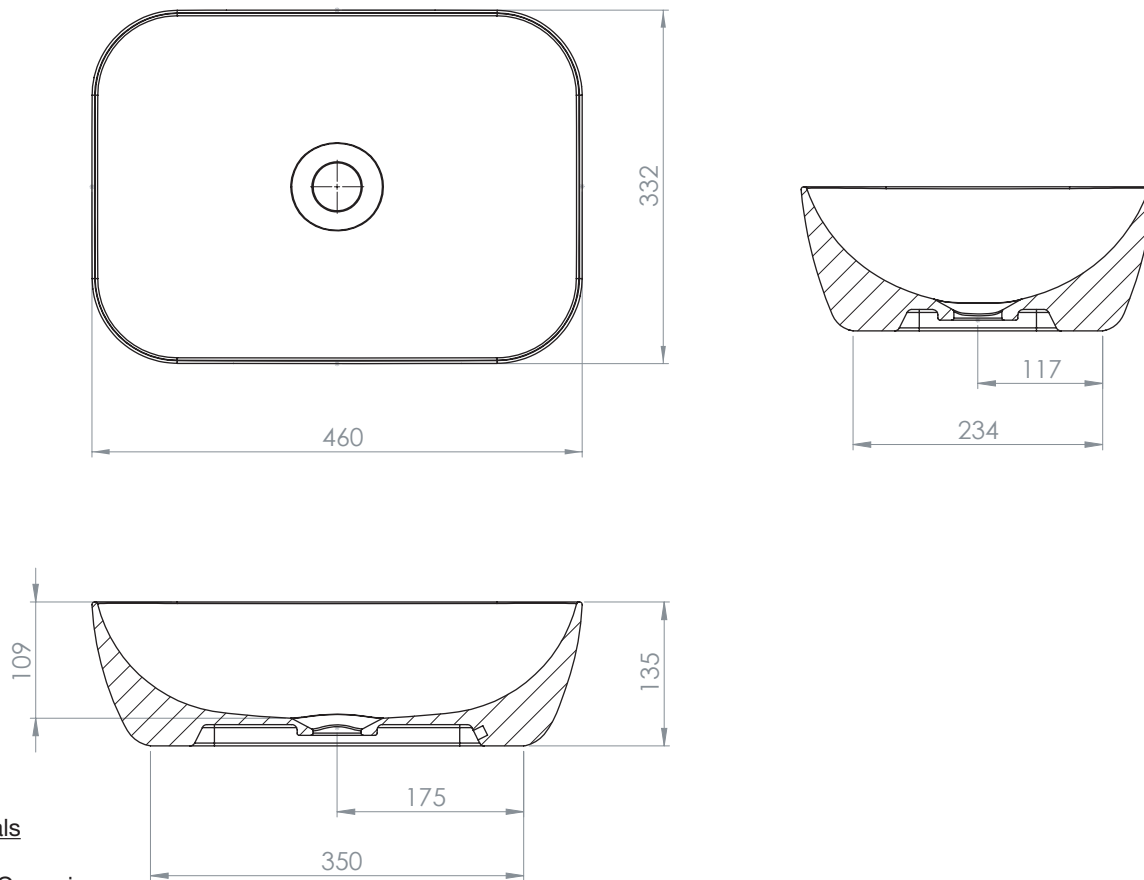


# Technical Data Sheet

## RECT COUNTERTOP BASIN

What's in the box: 1x DC12053



Diagrams not to scale  
All dimensions in mm  
Tolerance of +/-5mm

### Materials

Basin: Ceramic

\*\*Dimensions are subject to change, customers are advised to measure actual product before commencing installation.

\*\*\* BASIN HAS NO OVERFLOW SO MUST BE USED WITH AN OPEN WASTE

## FAQs

**Q: What is the maximum water depth of the basin?**

A: Measurement not applicable. Since this basin does not have an overflow channel it should only be used with an open waste.

**Q: Can this basin be wall mounted?**

A: No.

**Q: What ranges can this basin be used on?**

A: Please see compatibility matrix in the R2 brochure.

**Q: What are the taphole/ basin waste sizes?**

A: All sizes are to British Standard - (BS EN 31)

- Diameter of the central tap hole = 35mm : +2/ -1mm
- Bore of the waste outlet hole = 46mm : +2 / - 3mm

**Q: Where should the basin be located on the worktop?**

A: We recommend it being centralised on the worktop left to right. Front to back should be set based on desired tap location and waste outlet.

### Furniture units compatibility

Type		Status			Contour		Platform			
500	600	500	600	800	500	600	500	600	700	800
No	Yes	No	Yes	Yes	No	Yes	No	Yes	Yes	Yes