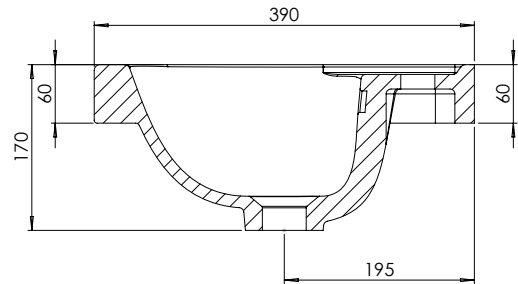
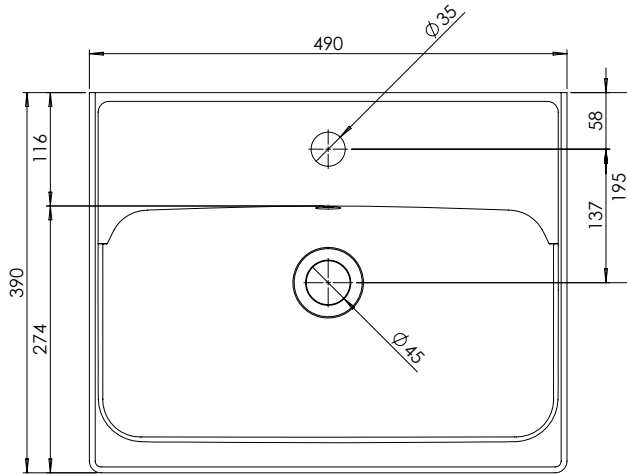


# Technical Data Sheet

## STATUS 500mm CERAMIC BASIN

What's in the box: 1x DC12060

# R2



Diagrams not to scale  
All dimensions in mm  
Tolerance of +/-5mm

### Materials

Basin: Ceramic

\*\*Dimensions are subject to change, customers are advised to measure actual product before commencing installation.

### FAQs

Q: What is the maximum water depth of the basin?

A: 85mm up to the overflow.

Q: What is the width of the Tapledge?

A: The Tapledge is 100mm wide.

Q: What is the distance from the Taphole centre to Basin Waste?

A: 177mm

Q: Can this basin be wall mounted?

A. No, this basin cannot be wall mounted.

Q: Does the basin fit other furniture?

A. No, this basin does not fit any other furniture.

Q: What are the taphole/ basin waste sizes?

A: All sizes are to British Standard - (BS EN 31)

- Diameter of the central tap hole = 35mm : +2/ -1mm
- Bore of the waste outlet hole = 46mm : +2 / - 3mm
- Diameter of the base for the seal between the waste outlet hole and the waste fitting =  $\geq 60$  mm

NOTE: Colours unique to R2 - No RAL Code available