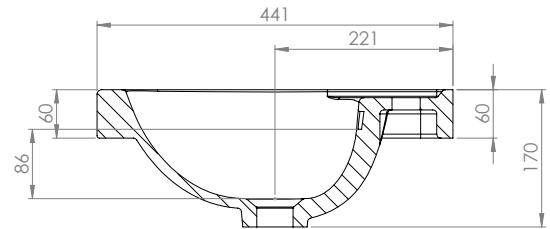
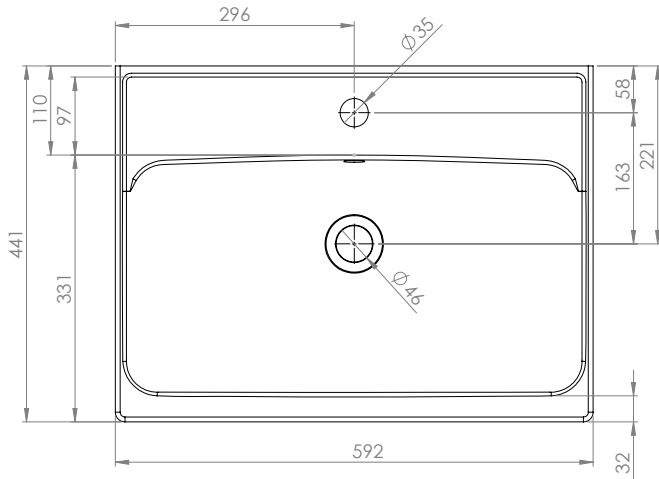


Technical Data Sheet

STATUS 600mm CERAMIC BASIN

What's in the box: 1x DC12061

R2



Diagrams not to scale
All dimensions in mm
Tolerance of +/-6mm

Materials

Basin: Ceramic

**Dimensions are subject to change, customers are advised to measure actual product before commencing installation.

FAQs

- | | |
|---|--|
| Q: What is the maximum water depth of the basin? | A: 85mm up to the overflow. |
| Q: What is the width of the Tapledge? | A: The Tapledge is 100mm wide. |
| Q: What is the distance from the Taphole centre to Basin Waste? | A: 163mm |
| Q: Can this basin be wall mounted? | A. No, this basin cannot be wall mounted. |
| Q: Does the basin fit other furniture? | A. No, this basin does not fit any other furniture. |
| Q: Are overflow cover caps available in other finishes? | A: Yes, matching finishes to our brassware are available to order separately. |
| Q: What are the taphole/ basin waste sizes? | A: All sizes are to British Standard - (BS EN 31) <ul style="list-style-type: none">• Diameter of the central tap hole = 35mm : +2/ -1mm• Bore of the waste outlet hole = 46mm : +2 / - 3mm• Diameter of the base for the seal between the waste outlet hole and the waste fitting = ≥ 60 mm |