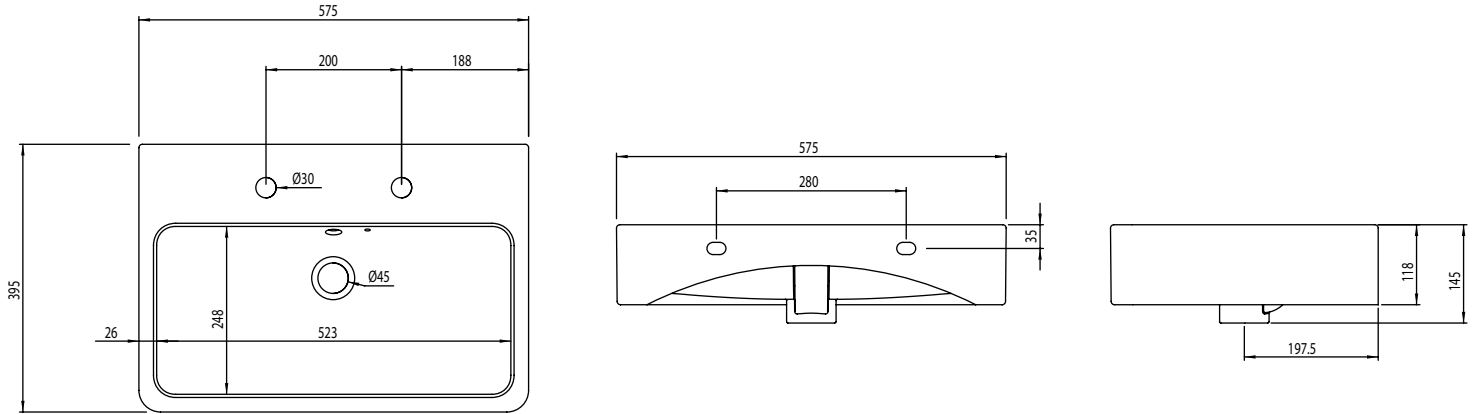


# Technical Data Sheet

# ROPER RHODES®

## 560 Countertop Basin+ (2 Tap Hole)

Whats in the box: 1x DC14001



Diagrams not to scale  
All dimensions in mm  
tolerance of +/-5mm

### Materials

Basin: Ceramic

\*Dimensions are subject to change, customers are advised to measure actual product before commencing installation.

### FAQs

Q: What is the maximum water depth of the basin?

A: 95mm up to the overflow.

Q: Whats is the width of the Tapledge?

A: The Tapledge is 120mm wide.

Q: What is the distance from the Tapholes centre to Basin Waste?

A: 155mm

Q: What is the distance between the two tapholes?

A: 200mm

Q: What are the taphole/ basin waste sizes?

A: All sizes are to British Standard - (BS EN 31)

- Diameter of the central tap hole = 35mm : +2/ -1mm
- Bore of the waste outlet hole = 46mm : +2 / - 3mm
- Diameter of the base for the seal between the waste outlet hole and the waste fitting =  $\geq 60$  mm