

# TECHNICAL DATA SHEET

## Orbit SCT STD Depth Basin - DCI 4004

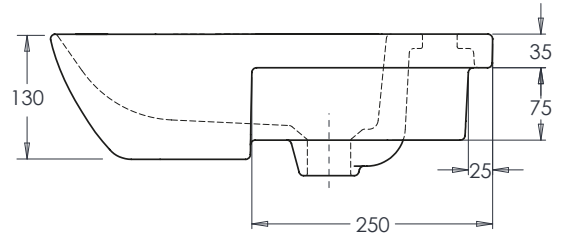
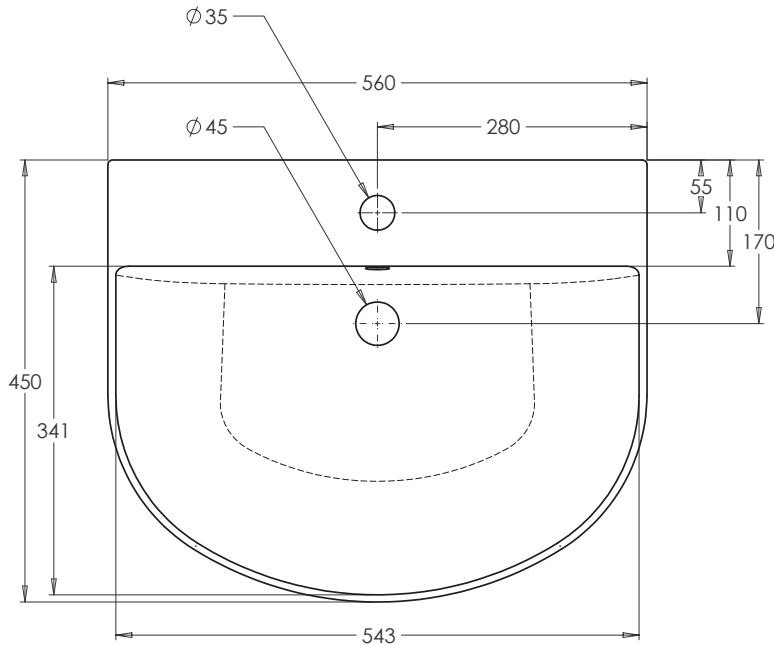
# TAVISTOCK

NO.	Description	Product Code	Fixings included	Gross Weight
I	Semi Recess Basin - Standard Depth	DCI 4004	YES	14.2KG



### DIMENSIONS

DIAGRAMS NOT TO SCALE | ALL DIMENSIONS IN MM TOLERANCE OF ± 5MM  
ALL PRODUCTS CONFORM TO BRITISH STANDARDS



\*Dimensions are subject to change, customers are advised to measure actual product before commencing installation.  
\*\*Fixing point dimensions are for guidance only. The positions of fixings must be checked when product is received.

### FAQs

- Q - Is a fitting template supplied?  
A - Yes : Questions on cutting dimensions can be found on the template.
- Q - How is the basin fixed to the furniture?  
A - Fix to workspace with silicone as per instructions supplied.

Key Dimensions Descriptions	Key Dimensions (mm)
Internal Bowl Depth	100mm
Internal Bowl Front to Back	341mm
Internal Bowl Left to Right	543mm
Tap Ledge	110mm
Taphole Centre to Waste Centre	125mm
Taphole Centre to Back of Basin	55mm
Waste Centre to Back of Basin	170mm
Height of Basin	130mm
Basin Overhang	200mm