

TECHNICAL DATA SHEET

Orbit SCT Slim Depth Basin - DCI4005

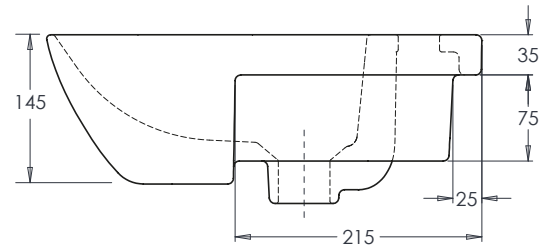
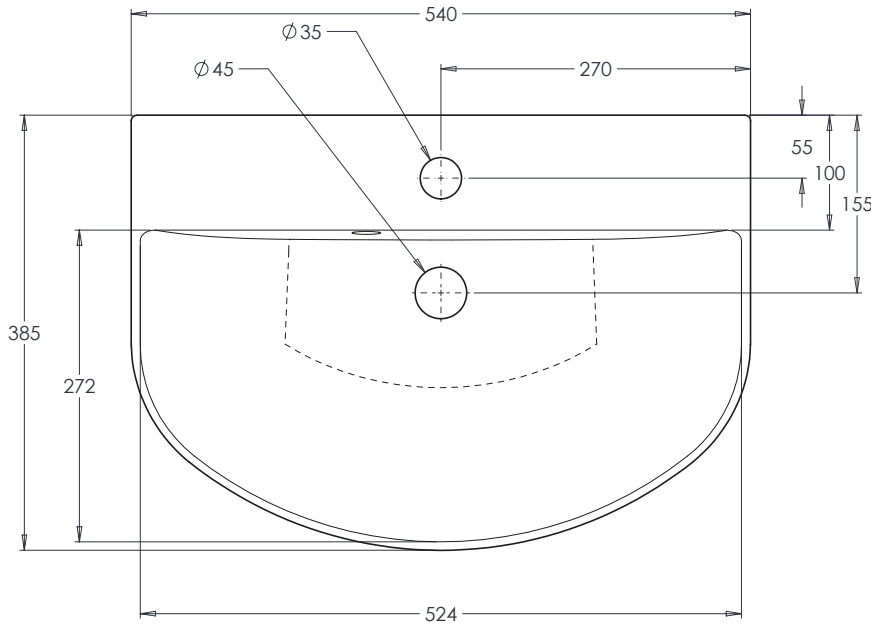
TAVISTOCK

NO.	Description	Product Code	Fixings included	Gross Weight
I	Semi Recess Basin - Slim Depth	DCI4005	YES	11.4KG



DIMENSIONS

DIAGRAMS NOT TO SCALE | ALL DIMENSIONS IN MM TOLERANCE OF ± 5MM



*Dimensions are subject to change, customers are advised to measure actual product before commencing installation.
 **Fixing point dimensions are for guidance only. The positions of fixings must be checked when product is received.

FAQs

- Q - Is a fitting template supplied?
 A - Yes : Questions on cutting dimensions can be found on the template.
- Q - How is the basin fixed to the furniture?
 A - Fix to workspace with silicone as per instructions supplied.

Key Dimensions Descriptions	Key Dimensions (mm)
Internal Bowl Depth	100mm
Internal Bowl Front to Back	272mm
Internal Bowl Left to Right	524mm
Tap Ledge	100mm
Taphole Centre to Waste Centre	100mm
Taphole Centre to Back of Basin	55mm
Waste Centre to Back of Basin	155mm
Height of Basin	145mm
Basin Overhang	170mm